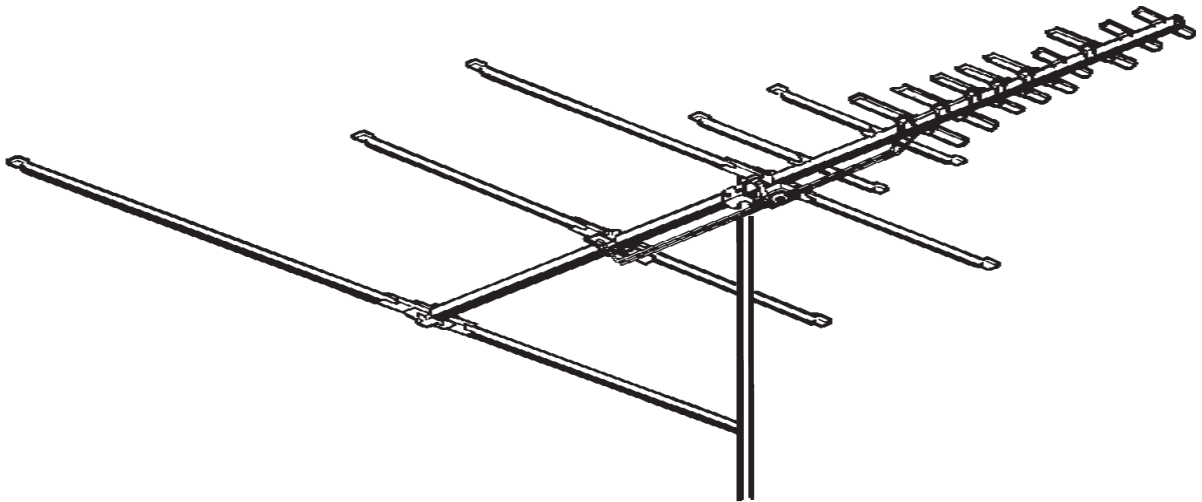


**engineering specifications**

Model HD-7210  
GHOST KILLER™



"UPS in shield design is a registered trademark of United Parcel Service of America, Inc. used by permission."

Made in U.S.A.

CHANNEL	CH. 2	CH. 4	CH. 6	CH. 7	CH. 9	CH. 11	CH. 13	CH. 14	CH. 32	CH. 50	CH. 69
dB gain over reference dipole	73°	73°	70°	53°	50°	48°	42°	50°	50°	56°	31°
front-to-back ratio	greater than 20dB	20dB	19dB	17dB	17dB	15dB	10.5dB	8dB	17dB	13dB	9dB

**POLAR PATTERNS**

