

VH-001

DVD/DVR/Satellite Receiver Holder

Product Features:

Holds DVD players, satellite receivers and DVRs

Opens 10.4" to 17.125" (left to right)

Opens 1.83" to 5.25" (top to bottom)

Height: 5.875" (inside to inside)

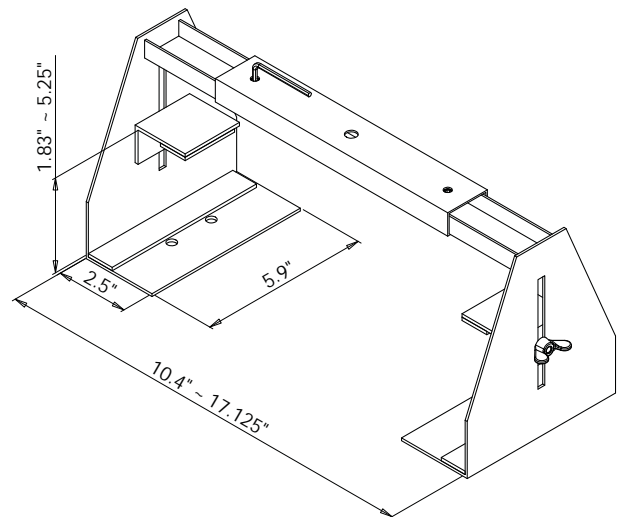
Black powder coat finish

Also available in silver finish (VH-001S)

Product Specifications:

(for Architects & Engineers)

The dvd/vhs/satellite receiver holder be a Video Mount Products (VMP) model VH-001. The holding clamp shall adjust from 1.83" to 5.25" (top to bottom), and the holder shall adjust from 10.4" to 17.125" (left to right). The mount shall be able to attach to most Video Mount Product ceiling mounts with the addition of the VH-004B.



Video Mount Products

Distributed by Solid Signal

www.solidsignal.com

877.312.4547

VMP
VIDEO MOUNT PRODUCTS