



...competitive technologies
with compelling value

CTA-35-1000

1000 MHz, 35 dB Gain Amplifier

Features:

- 35 dB Forward gain
- 40-1,000 MHz Bandwidth
- Input & output -20 dB test ports
- Push-pull amplifier circuitry
- Perfect for UHF/VHF or CATV
- 20 dB Gain control range

Contents Include:

- 1 CTA-35-1000 Amplifier
- 1 User's manual



Description:

The CTA-35-1000 is a commercial quality, push-pull amplifier with 35 dB of gain across a bandwidth of 40 - 1,000 MHz. This amplifier was designed for the indoor amplification of CATV signals as well as UHF/VHF signals. The output of the CTA-35-1000 is easily adjusted using the front panel gain control with 20 dB of gain control range. With input and output test points, the CTA-35-1000 can easily be monitored and adjusted without disrupting service.

Specifications:

Frequency Range:	40-1,000 MHz
Channel Loading:	70
Gain:	35 dB
Flatness:	+/- 0.75 dB @ 40-550 MHz +/- 1 dB @ 551 - 1,000 MHz
Input Capability (1 dB Compression):	91 dBuV @ 55.25 MHz Input
Return Loss In/Out:	-14 dB
Noise Figure:	6 dB
Gain Control Range:	20 dB
Input/Output Test Points:	-20 dB
Composite Triple Beat (CTB):	-57 dBC (70 ch. Matrix 10 dB, positive scope 40 dBmV, output @ highest ch.)
Composite Second Order (CSO):	-57 dBC (70 ch. Matrix 10 dB, positive scope 40 dBmV, output @ highest ch.)
Power Requirement:	117VAC / 60Hz
Operating Temperature:	0° to +50°C
Power On Indicator:	Red LED
Connectors:	F Type female (all ports)
Impedance:	75 Ohms
Dimensions:	8.86"L x 5.32"W x 2.05"H (225 x 135 x 52mm)
Weight:	3.02 lbs. (1.37 kg)

CTA-30RK-550 Rack Mount Launch Amplifier

CTA-30/550 Wall Mount Launch Amplifier



Product Description

The CTA-30RK-550 is a professional quality 19" rack mountable broadband launch amplifier designed to produce clean signals for a commercial grade private cable network. Employing a push-pull design, the CTA-30RK-550 produces high output levels with extremely low distortion and harmonic content. As a broadband amplifier with a frequency range of 54-550 MHz, the CTA-30RK-550 supports up to 78 channels.

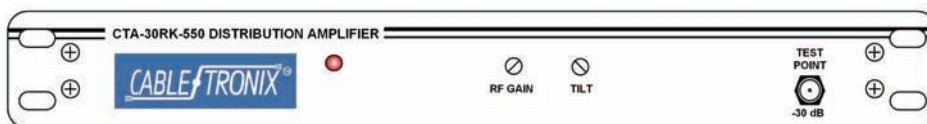
Application

Designed for commercial grade headend systems, the CTA-30RK-550 when combined with a Cabletronix CTHC-12G, CTHC-24G, or other 3rd party combiners, serves as a launch amplifier to distribute signals to a private cable network's RF plant.



Features and Benefits

- Broadband coverage from 54 – 550 MHz
- Supports up to 78 channels
- 30 dB gain
- Adjustable gain and slope controls
- Competitive performance specs
- Excellent value
- 1 year warranty
- 3 year extended warranty available



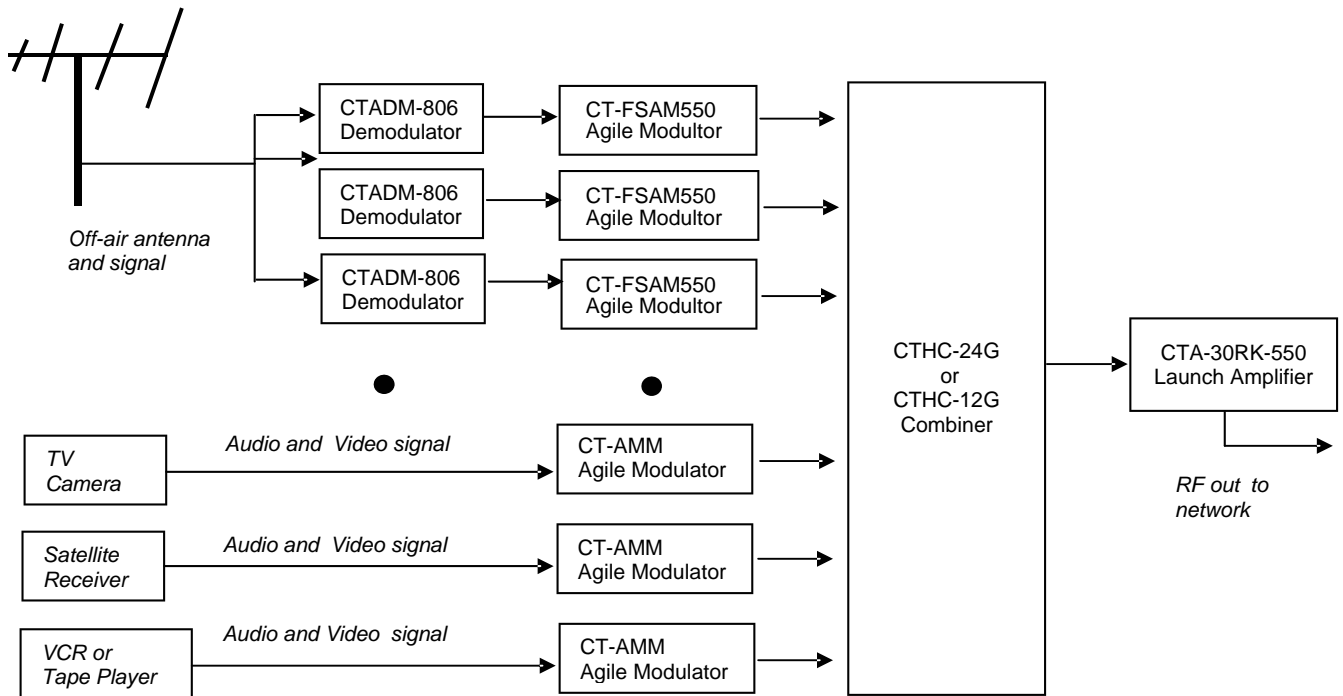
CTA-30RK-550 Rack Mount Launch Amplifier

CTA-30/550 Wall Mount Launch Amplifier

Specifications

RF	Bandwidth:	54 – 550 MHz
	Gain:	30 dB
	Gain Adjustable Range	12 dB
	Slope:	9 dB
	Flatness:	+/- 1.5 dB per channel, any 100 MHz band
	Maximum Output:	7 channels, 35 dBmV Max. Input Level, 65 dBmV Max. Output Level
	(levels vary with number of channels)	12 channels, 33 dBmV Max. Input Level, 63 dBmV Max. Output Level
		36 channels, 29 dBmV Max. Input Level, 59 dBmV Max. Output Level
		54 channels, 26 dBmV Max. Input Level, 56 dBmV Max. Output Level
		78 channels, 23 dBmV Max. Input Level, 53 dBmV Max. Output Level
	Noise Figure:	7.5 dB
	Second Order Beats:	-60 dB (129 channels @ 13 dBmV input level)
	Composite Triple Beat:	-58 dB (129 channels @ 13 dBmV input level)
	Cross Modulation:	-62 dB (129 channels @ 13 dBmV input level)
	Return Loss In:	16 dB
	Return Loss Out:	16 dB
	Test Points:	-20 dB
General	Power Input:	115 VAC, 60 Hz
	Dimensions:	19" W x 1.75" H x 3.8" D (CTA-30RK-550)
		8" L x 1.75" D x 4.5" H (CTA-30/550)
	Weight	2.5 lb. (CTA-30RK-550)
		2.3 lb. (CTA-30/550)
	Operating Temperature Range	32°F to 122°F

Sample Configuration



Products are warranted for one year. Warranty can be extended to three years. Contact a sales engineer for details.

CTA-30RK-1000
 Rack Mount Launch Amplifier

CTA-30/1000
 Wall Mount Launch Amplifier



Product Description

The CTA-30RK-1000 is a professional quality 19" rack mountable broadband launch amplifier designed to produce Clean signals for a commercial grade private cable network. Employing a push-pull design, the CTA-30RK-1000 produces High output levels with extremely low distortion and harmonic content. As a broadband amplifier with a frequency range of 54-1000 MHz, The CTA-30RK-1000 supports up to 158 channels.

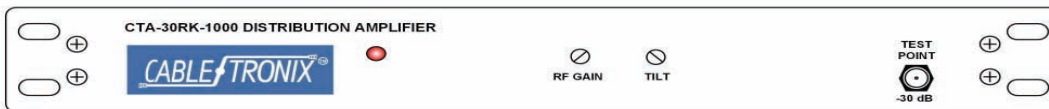
Application

Designed for commercial grade headend systems, the CTA-30RK-1000 when Combined with a Cabletronix CTHC-12G, CTHC-24G, or other 3rd party combiners, serves as a launch amplifier to distribute Signals to a private cable network's RF plant.



Features and Benefits

- Broadband coverage from 54 – 1,000 MHz
- Supports up to 158 channels
- 30 dB gain
- Adjustable gain and slope controls
- Input and output test ports
- Double shielded RFI enclosure
- Competitive performance specs
- Excellent value
- 1 year warranty
- 3 year extended warranty available



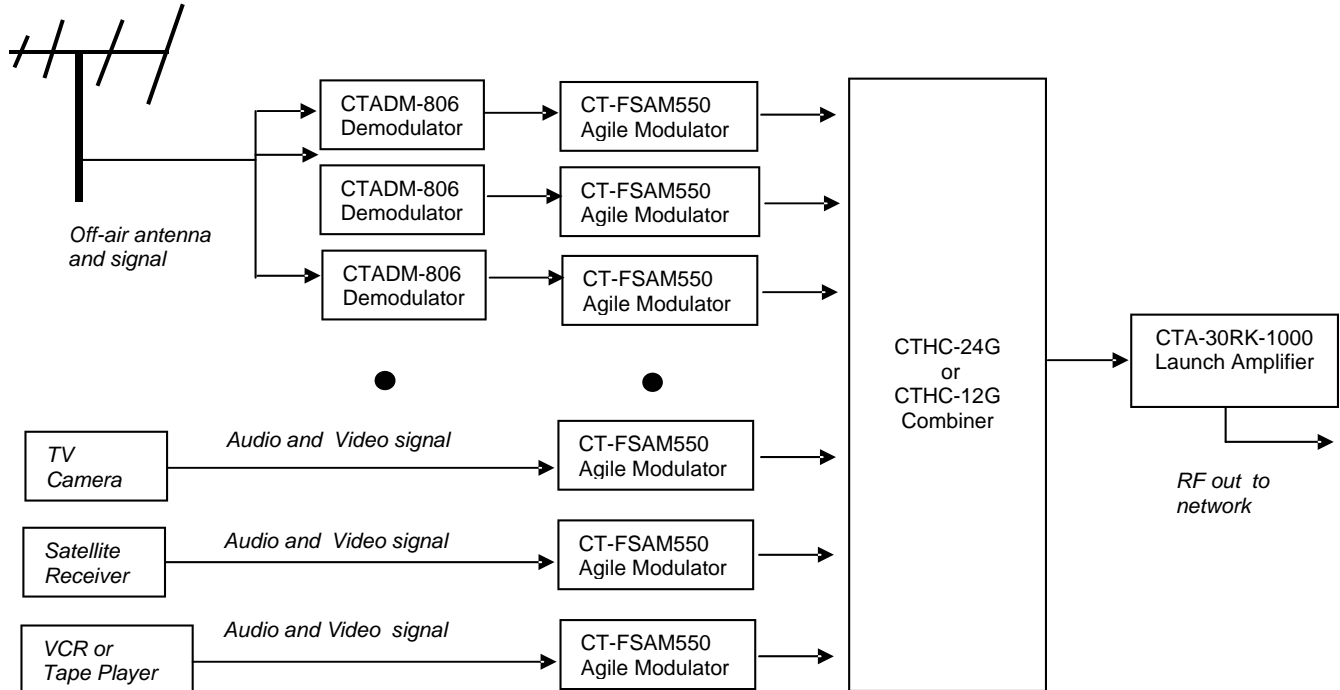
CTA-30RK-1000 Rack Mount Launch Amplifier

CTA-30/1000 Wall Mount Launch Amplifier

Specifications

RF	Bandwidth:	54 – 1000 MHz
	Gain:	30 dB
	Gain Adjustable Range	18 dB
	Slope:	12 dB
	Flatness:	+/- 1.5 dB per channel, any 100 MHz band
	Maximum Output:	7 channels, 44 dBmV Max. Input Level, 66 dBmV Max. Output Level
	(levels vary with number of channels)	12 channels, 41 dBmV Max. Input Level, 63 dBmV Max. Output Level
		36 channels, 32 dBmV Max. Input Level, 54 dBmV Max. Output Level
		54 channels, 23 dBmV Max. Input Level, 45 dBmV Max. Output Level
	Noise Figure:	7.5 dB
	Second Order Beats:	-60 dB (129 channels @ 13 dBmV input level)
	Composite Triple Beat:	-58 dB (129 channels @ 13 dBmV input level)
	Cross Modulation:	-54 dB (129 channels @ 13 dBmV input level)
	Return Loss In:	16 dB to 750 MHz (Typical)
	Return Loss Out:	16 dB 751-1,000 MHz (Typical)
	Test Points:	-20 dB
General	Power Input:	117 VAC, 60 Hz, 25W
	Dimensions:	19" W x 1.75" H x 3.0" D (CTA-30RK-1000)
		8" L x 1.75" D x 4.5" H (CTA-30/1000)
	Weight	4.0 lbs. (CTA-30RK-1000)
		2.5 lbs. (CTA-30/1000)
	Operating Temperature Range	32°F to 122°F

Sample Configuration



Products are warranted for one year. Warranty can be extended to three years. Contact a sales engineer for details.