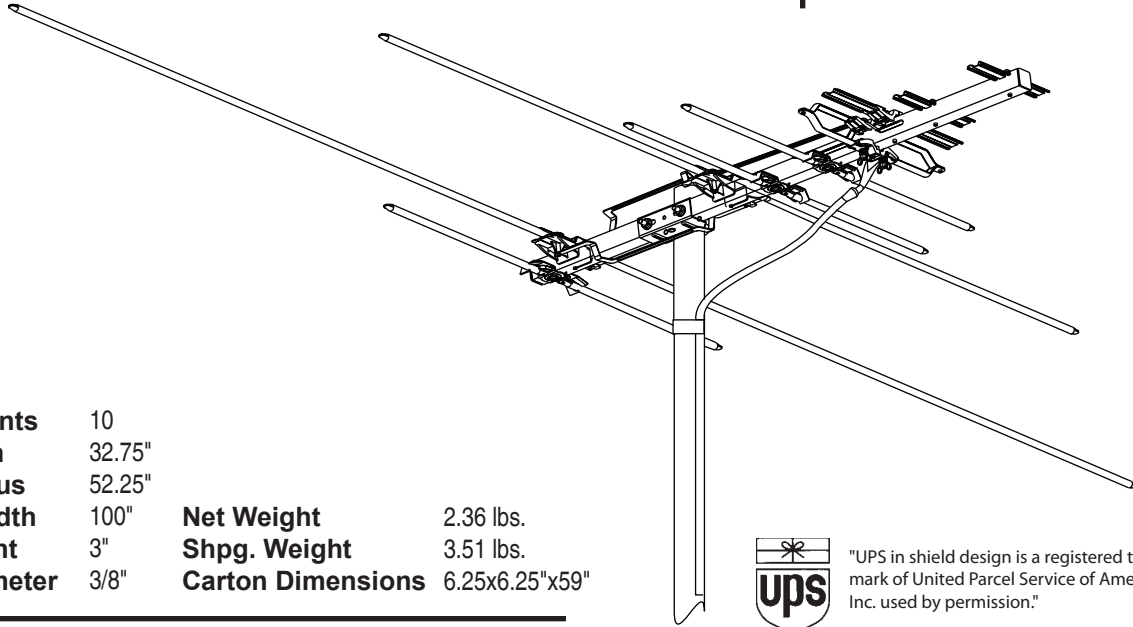




VHF/UHF/FM DTV ANTENNA

engineering specifications

Model HD7000R



Active Elements	10	Net Weight	2.36 lbs.
Boom Length	32.75"	Shpg. Weight	3.51 lbs.
Turning Radius	52.25"	Carton Dimensions	6.25x6.25"x59"
Maximum Width	100"		
Vertical Height	3"		
Element Diameter	3/8"		



"UPS in shield design is a registered trademark of United Parcel Service of America, Inc. used by permission."

Output Impedance: 300 ohm/75 ohm with included transformer
Recommended Preamp: AP Series

Made in U.S.A.

CHANNEL	CH.2	CH.4	CH.6	CH.7	CH.9	CH.11	CH.13	CH.14	CH.32	CH.50	CH.69
dB gain over reference dipole	.2	1.8	.5	5	5	5.3	4.1	3.6	5.1	6	6
beamwidth at half power points	83°	82°	78°	51°	66°	48°	33°	75°	54°	40°	43°
front-to-back ratio	1dB	1.5dB	3dB	8.5dB	12dB	12.5dB	4.5dB	7dB	10.5dB	14dB	11dB

POLAR PATTERNS

