

INSTALLATION & USER GUIDE



JobSite[®]
PURE CUSTOM[®]

**For Receiving and Routing
Infrared Commands from
any Remote Control**

PLASMA-PROOF WALL MOUNT IR RECEIVER

IR-WMR

IR-WMR

PLASMA-PROOF WALL MOUNT IR RECEIVER

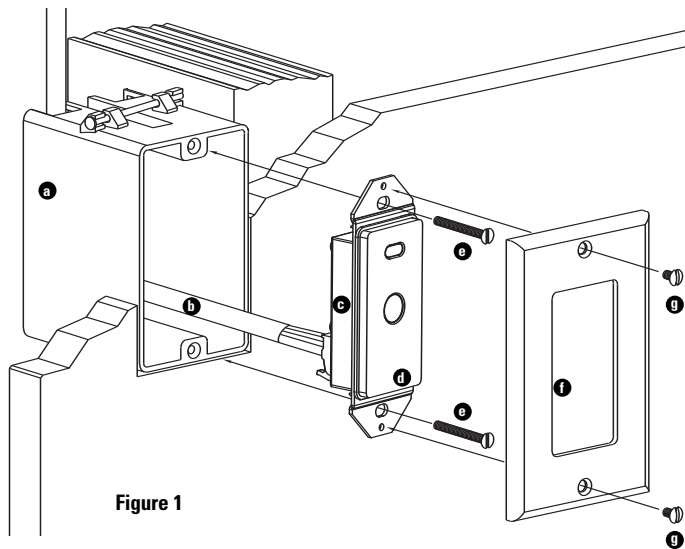
TABLE OF CONTENTS

Features	1
Product Overview	2
Package Contents	3
Preparing for Installation	3
Installation	3
Operation	5
Troubleshooting	5
Specifications	7
Warranty	8

FEATURES

- Plasma-proof design
- Rejects interference from flat panel displays, CFL lighting or indirect sunlight
- Works with practically all remotes
- Extended receiving range
- Green talkback LED indicates when A/V system is on
- Blue talkback LED confirms reception of IR signals
- Installation friendly design:
- Snap and lock connector secures wire in place without the use of a screwdriver
- Includes Decora® style faceplate

PRODUCT OVERVIEW



- (a) Electrical Box
- (b) Category 5 cable
- (c) IR-WMR IR Receiver (supplied)
- (d) Snap-on Color Insert (supplied)
- (e) Device Screws (2 supplied)
- (f) Decora® style Faceplate (supplied)
- (g) Faceplate Screws (2 supplied)

Figure 1

PACKAGE CONTENTS

- IR-WMR Receiver x 1
- Decora® style Insert x 1
- Decora® style faceplate x 1
- Snap and lock Connector x 1
- Device Mounting Screws x 2
- Faceplate Screws x 2

PREPARING FOR INSTALLATION

If you are installing the IR-WMR into an existing wall, take time to consider any possible obstructions which may be hidden inside the wall, such as wood or metal studs, electrical, telephone or other types of wiring, plumbing, AC or heating conduit. You should avoid locating the IR-WMR near potential sources of electrical or optical noise, such as light dimmers or low-voltage lights.

Tools Required

- 1/8" Slotted screwdriver
- 1/4" Slotted screwdriver
- No.2 Phillips screwdriver
- Wire stripper
- Wire labels

INSTALLATION

1. Identify the IR Receiver wire. Label the wire for future reference.
2. Strip 2" of outer jacket off the end of the CAT5, then 1/4" of insulation from each strand of wire to be used.
3. Locate the Snap and lock connector and remove it if it is plugged in.
4. Use a small flathead screwdriver or your thumb to raise the locking tabs, exposing the holes on the connector.

5. Insert each wire into the appropriate hole and snap down the locking tabs. **See Figure 2**
 6. Insert the smooth side of the connector plug into the smooth side of the IR-WMR socket.
 7. Install the IR-WMR into the device ring.
 8. Attach the cover plate.
- See installation diagram.

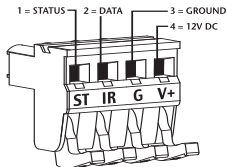


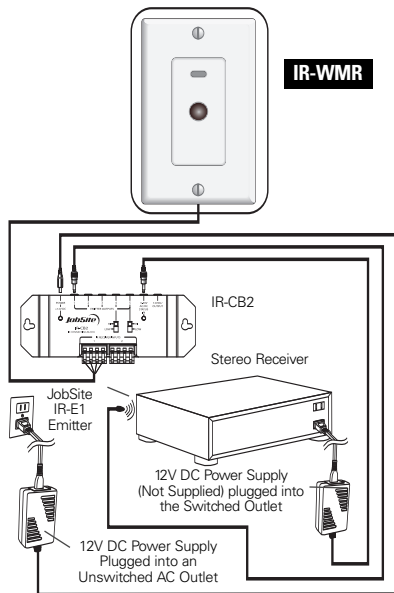
Figure 2

Installation Note

The talkback LED can be disabled if it continues to flicker or visual feedback is not desired. Discrete on and off IR commands are available on the JobSite Technical support website for disabling the talkback LED. The address is:

www.jobsitesystems.com/techsupport/

INSTALLATION DIAGRAM



USING THE IR-WMR WITH A JOBSITE M-4KP KEYPAD

The IR-WMR is fully compatible with the JobSite M-4KP Keypad: follow the wiring instructions in Figure 3.

OPERATION

Operation of the IR-WMR is simple. Stand within the operational range of your IR-WMR. Aim your hand-held remote at the IR-WMR and press the button for

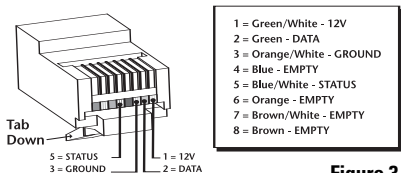


Figure 3

Suggested wiring of WMR to a RJ45 connector for connection to a JobSite M-4KP keypad.

the desired command. Your IR command is instantly repeated to your A/V equipment.

Green “Power Status” LED

When the IR-WMR is correctly connected, the Green LED will stay lit as long as the preamp/receiver is on. When your preamp/receiver is off, the LED will stay off.

Blue “Talkback” LED

The blue “talkback” LED on the IR-WMR visually confirms the reception of an IR command.

TROUBLESHOOTING

1. Test the remote control(s) by operating the A/V equipment directly. Replace the batteries if needed.
2. Double-check the cable connections on all IR-WMR's and on the Connecting Block. Look for open, shorted or reversed wires.

3. Test for interference from the following sources:
Neon or halogen lights in the room. Light dimmers, beginning with those closest to the IR-WMR.

Observe the IR-WMR's LED while performing all the tests. It is possible to have interference from more than one source.

Eliminating optical feedback:

Optical Feedback Loop: If you have an IR Receiver in the same room as a Emitter, and you have some low-level noise or interference, an optical feedback loop can occur which will interfere with proper operation. Symptoms can include: poor range, intermittent operation or no operation.

Solution:

Replace the IR-E1HO "flooding Emitter" with IR-E1 or IR-E2 Emitters and cover all Emitters with the supplied IR blocking covers.

Identifying the type of interference: The "Talkback" LED on the front of the IR-WMR is a useful troubleshooting aid.

The LED should light blue only when a remote command is being received. However, if the LED on the IR-WMR "flickers", and the IR-WMR functions normally, there is no cause for concern.

If the IR-WMR does not work, and the LED does not light at all: Test the remote control(s) by operating the A/V equipment directly. Replace the batteries if needed. Double-check the wiring connections of the IR-WMR, at the IR Connecting Block. Consult your IR Connecting Block's manual for more detail.

If the IR-WMR does not work, and the LED flickers or remains solidly lit: Cover up the Receiver with a piece of cardboard (your hand will actually create electromagnetic interference under some conditions). Observe the IR test LED.

IR Test LED Off:

Optical Interference.

IR Test LED On or Flickering:

Electromagnetic Interference.

EMI (Electromagnetic Interference):**Solution:**

1. Move the Receiver or the Receiver cable away from the EMI source or move the source of the EMI away from the Receiver or the cable.
2. Connect the Receiver's GND terminal to true earth ground (if this isn't feasible use the Connecting Block's GND terminal).

There are many methods for reducing interference. Which solution is best for you depends on your situation. If you require further assistance contact JobSite Technical Support at 1-866-458-7483.

SPECIFICATIONS**IR system:**

Works with practically all brands of IR remote controls

IR receiving (varies by brand of remote control):

18'-30' range, 30 degrees off-axis

Wiring requirements:

Category 5 or better, Home runs required

Mounting:

Single gang electrical box at least 2-3/4" deep

Dimensions:

1-5/8" wide x 2-5/8" high x 2-3/4" deep

Depth behind faceplate:

2-3/4"

Warranty: 2 year limited

LIMITED WARRANTY

JobSite Systems (“JOBSITE”), a Niles Audio Corporation company, warrants its passive products (those not requiring AC or battery power) to the original purchaser to be free of manufacturing defects in material and workmanship for a period of ten years from date of purchase.

JOBSITE warrants its passive loudspeaker products (those not requiring AC or battery power) to the original purchaser to be free of manufacturing defects in material and workmanship for a period of five years from date of purchase.

JOBSITE warrants its indoor/outdoor loudspeaker products to the original purchaser to be free of manufacturing defects in material and workmanship for a period of two years from date of purchase.

JOBSITE warrants its all weather rock loudspeaker products to the original purchaser to be free of manufacturing defects in material and workmanship for a period of five years from date of purchase.

JOBSITE warrants its active products (those requiring AC or battery power) to the original purchaser to be free of manufacturing defects in material and workmanship for a period of two years from date of purchase.

This Warranty is subject to the following additional conditions and limitations. The Warranty is void and inapplicable if JOBSITE deems that the product has been used or handled other than in accordance with the instructions provided by the manufacturer, including, but not limited to, damage caused by accident, mishandling, improper installation, abuse, negligence, or normal wear and tear, or any defect caused by repair to the product other than by JOBSITE or an authorized JOBSITE wholesale distributor.

To obtain warranty service, you must write to JOBSITE: Include your name, address, telephone number, model number and serial number of your unit, and a brief description of the problem. A factory Return Authorization Number will be sent to you. **DO NOT RETURN ANY UNIT WITHOUT FIRST**

RECEIVING WRITTEN AUTHORIZATION AND SHIPPING INSTRUCTIONS FROM JOBSITE.

If the above conditions are met, the purchaser's sole remedy shall be to return the product to JOBSITE, in which case JOBSITE will repair or replace, at its sole option, the defective product without charge for parts or labor. JOBSITE will return the unit repaired or replaced under warranty by shipping it by its usual shipping method from the factory (only) at its expense within the United States of America. THERE ARE NO OTHER WARRANTIES, INCLUDING, WITHOUT LIMITATION, EITHER EXPRESS OR IMPLIED WARRANTIES OF MERCHANTABILITY OR FITNESS FOR A PARTICULAR PURPOSE, WITH RESPECT TO THE PRODUCT.

REPAIR OR REPLACEMENT AS PROVIDED UNDER THIS WARRANTY IS THE EXCLUSIVE REMEDY OF THE CONSUMER/PURCHASER. NILES SHALL NOT BE RESPONSIBLE FOR ANY INCIDENTAL OR CONSEQUENTIAL DAMAGES EXCEPT TO THE EXTENT PROVIDED (OR PROHIBITED) BY

APPLICABLE LAW.

Some states do not allow the exclusion or limitation of incidental or consequential damages, so the above limitation may not apply to you. This warranty gives you specific legal rights, and you may also have other rights, which vary from state to state.

For the name of the nearest authorized JOBSITE wholesale distributor, contact:

JobSite Systems

12331 S.W. 130 Street, Miami, Florida 33186

WWW.JOBSITESYSTEMS.COM



JOBSITE SYSTEMS

12331 S.W. 130 STREET, MIAMI, FLORIDA 33186

P 866.4JB.SITE (866.452.7483) – F 305.238.0185

WWW.JOBSITESYSTEMS.COM

© 2004 JobSite Systems. All rights reserved. JobSite, Pure Custom and Niles are registered trademarks of Niles Audio Corporation and the JobSite Logo is a trademark of Niles Audio Corporation. All other trademarks are the property of their respective owners. Some JobSite products (or components thereof) are manufactured under one or more U.S. Patents, foreign equivalents and/or pending patents (see product for details). Because we constantly strive to improve our products, JobSite reserves the right to change product specifications, descriptions, and prices without notice. The technical and other specifications of information contained herein are not intended to set forth all technical and other specifications of JobSite products. Additional information can be obtained at WWW.JOBSITESYSTEMS.COM or by calling JobSite at 866.452.7483. Printed in China. 7/04 DS00380BCN