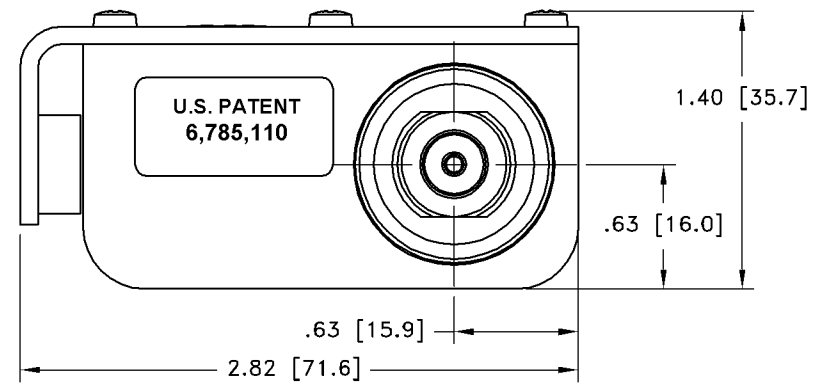
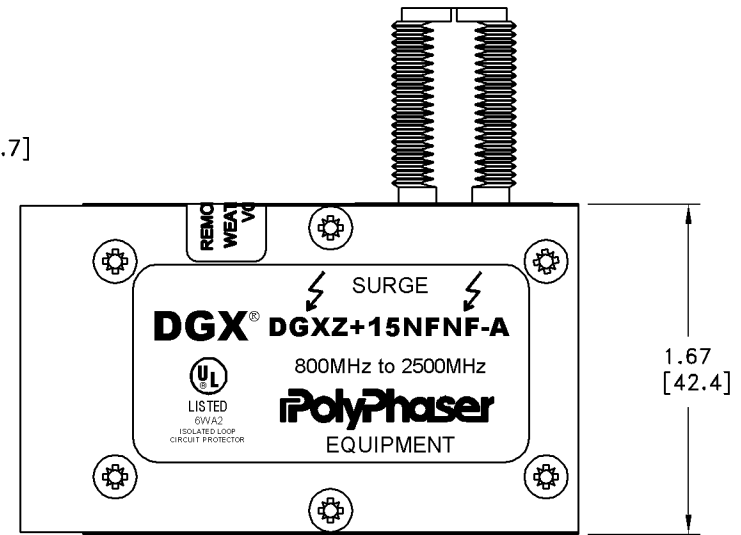
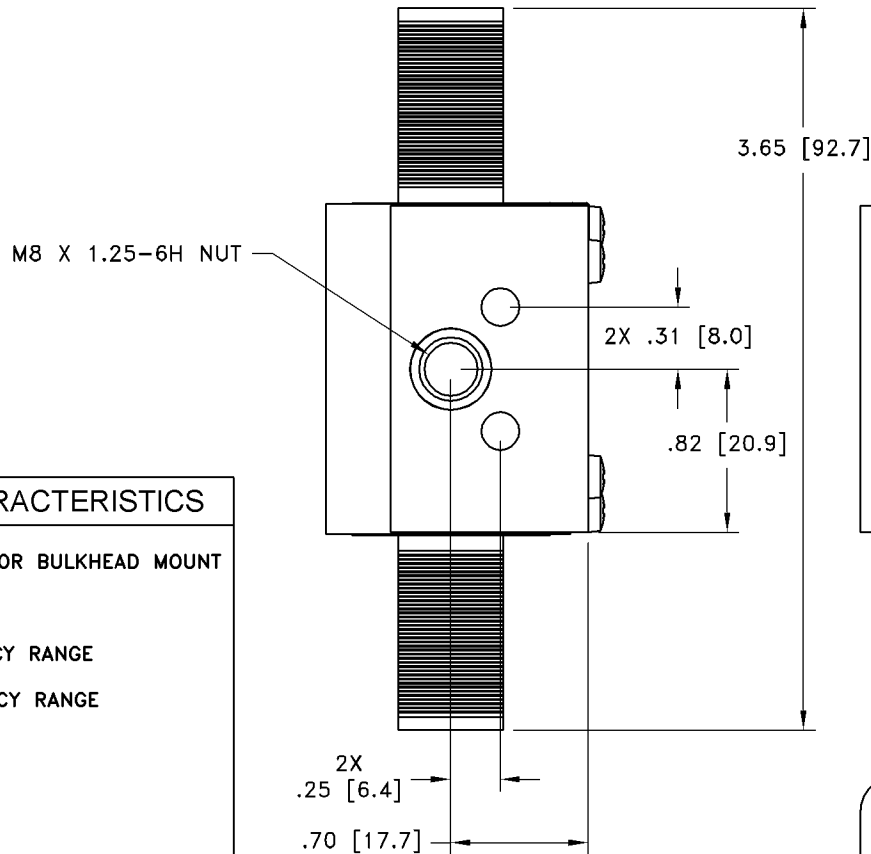


ALL DESIGN, OPERATIVE AND PROCESS DATA PERTAINING TO THE ARTICLE SHOWN ON THIS SHEET IS THE PROPERTY OF POLYPHASER CORPORATION. THE INFORMATION IS NOT TO BE COPIED, REPRODUCED, REVEALED TO OR APPROPRIATED BY OTHERS WITHOUT THE EXPRESS WRITTEN CONSENT OF POLYPHASER CORPORATION.

REVISIONS				
REV LTR	DATE	ENG	MKTG	Q.A.
G	05/17/07	CM KB	CP	RM



CUSTOMER APPROVAL: \_\_\_\_\_ DATE: \_\_\_\_\_

ALL DIMENSIONS SHOWN ABOVE ARE FOR REFERENCE ONLY.

**MAXIMUM CHARACTERISTICS**

APPLICATION:  
WEATHERIZED, FLANGE OR BULKHEAD MOUNT

FREQUENCY RANGE:  
800MHz TO 2500MHz

VSWR:  
≤1.1:1 OVER FREQUENCY RANGE

INSERTION LOSS:  
≤0.1dB OVER FREQUENCY RANGE

POWER:  
300Wrms AVERAGE

TURN ON:  
+16.5Vdc

TURN ON TIME:  
4ns FOR 2kV/ns

MAX. SURGE:  
20kA IEC 61000-4-5 8/20μs WAVEFORM

THROUGHPUT ENERGY:  
≤500μJ FOR 3kA, 8/20μs WAVEFORM

USER VOLTAGE:  
+15Vdc MAX

USAGE CURRENT:  
≤4.0A CONTINUOUS

RELATIVE HUMIDITY:  
TO 95%

ENVIRONMENTAL:  
MEETS IEC 60529 IP67  
MEETS BELLCORE #TA-NWT-000487  
PROCEDURE 4.11, WIND DRIVEN (120MPH)  
RAIN INTRUSION TEST.

TEMPERATURE:  
-50°C TO +85°C STORAGE/OPERATING

*These commodities or technology are exported from the U.S. in accordance with the Export Administration Regulations. Diversion contrary to U.S. law prohibited.*

DRAFTER	DATE
S. HALL	04/09/02
MECH ENGINEER	DATE
R. DUNNING	04/24/02
ELEC ENGINEER	DATE
J. JONES	04/24/02
MARKETING	DATE
P. HEEREN	04/24/02
QUALITY DEPT	DATE
R. MATHEUS	04/24/02

**PolyPhaser**

P.O. BOX 9000 MINDEN, NV 89423 TEL: 775-782-2511 FAX: 775-782-4476  
DWG NO/PART NO/DESCRIPTION

**DGXZ+15NFNF-A**

**CUSTOMER PRINT**

CAGE CODE	FILE NAME	SCALE	SHEET
61114	-C1	1/1	1 OF 1