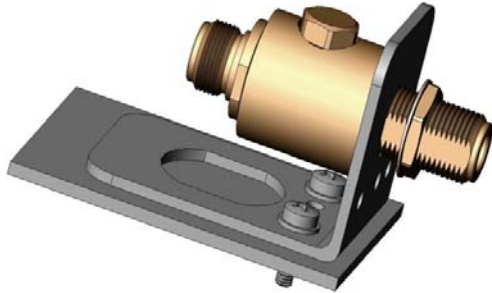


LP-GTR Series Coaxial Lightning Protector Installation Instructions

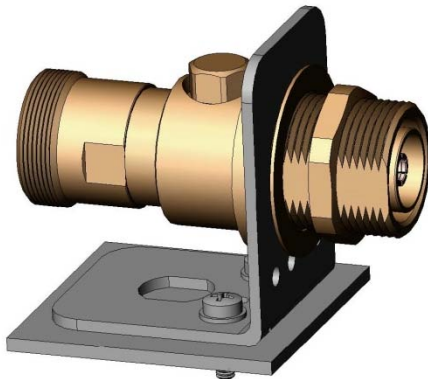
LP-GTR-DFF/DFF-23/DFF-35 and LP-GTR-DFM/DFM-23/DFM-35

LP-GTR-NFF/NFF-23 and LP-GTR-NFM/NFM-23

Bracket mount to grounded plate



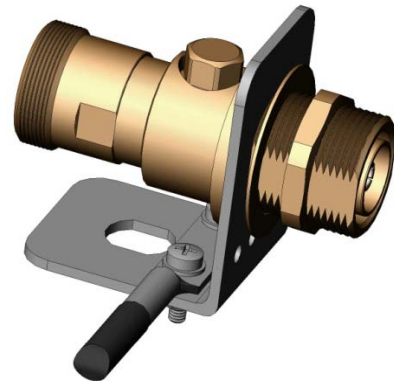
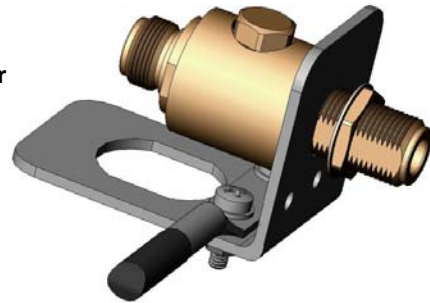
"N" Connector



"DIN" Connector

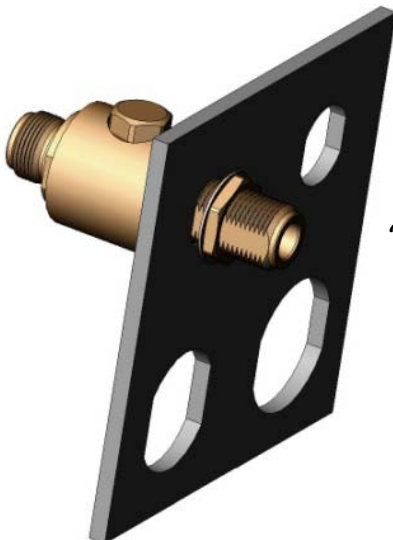
Drill (2) 4.8mm (0.1875") holes in ground plate using the bracket as template. Attach bracket to ground plate with (2) M4x15mm bolts, flat-washers under bolt heads, and star-washers under nuts (supplied). Insert protector elongated connector in "double D" hole as shown.

Bracket mount to ground lug

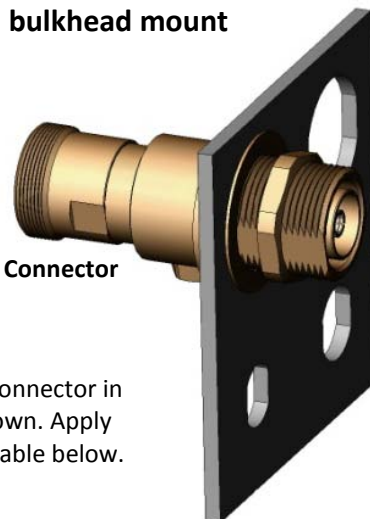


Attach ground lug (1 or 2 holes) to bracket with (2) M4x15mm bolts, flat-washers under bolt heads, and star-washers under nuts (supplied). Insert protector elongated connector in "double D" hole as shown.

Preferred grounded bulkhead mount



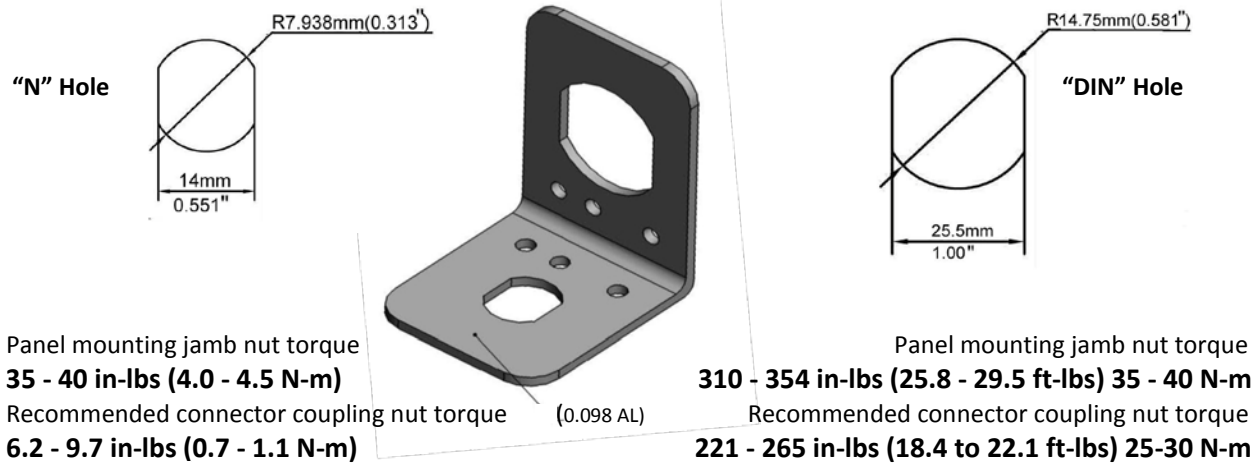
"N" Connector



"DIN" Connector

Insert protector elongated connector in "double D" hole as shown. Apply torque specifications from table below.

Supplied Right Angle Bracket Adapter



Installation notes and recommendations

- The LP- GTR series is a bi-directional design. Either connector can accept a surge and reliably conduct multiple high current lightning strikes to ground.
- The design allows for field replacement of the surge suppression component
- The LP-GTR series body is weather resistant to IP67 Standards
- The protector must be connected to ground through a large, low inductance/impedance conductor with minimum bends. The level of protection with *any* protector is most influenced by the quality of the attached earth ground system.
- The protector should show continuity from connector center pin to center pin, but no continuity from either pin to shield. If there is measured resistance, the protector should be replaced.

Warranty (LP- GTR series)

Times Microwave Systems (the seller) warrants to the original purchaser its surge and lightning protection products used in commercial communications applications to be free from defects in material or workmanship which arise from proper and normal use and service for two (2) years. In the event that the purchaser becomes aware of a defect within this period of time, the seller will, at its options, repair or provide to the purchaser new material in exchange for the defective material. In order to receive any remedy under this warranty, the purchaser must notify Times Microwave Systems of the defect and receive a return authorization. The entire liability of the seller shall be limited to the repair or provision of new material in exchange for the defective product. Seller shall not be liable for any consequential or incidental damages, cost of removal and re-installation of the product or any other costs incurred by the purchaser as a result of the defect. In no case shall the liability of the seller exceed the sales price of the surge and lightning protection products found to be defective. The above constitutes the entire warranty provided by Times Microwave Systems. There are no other warranties provided, expressed or implied.