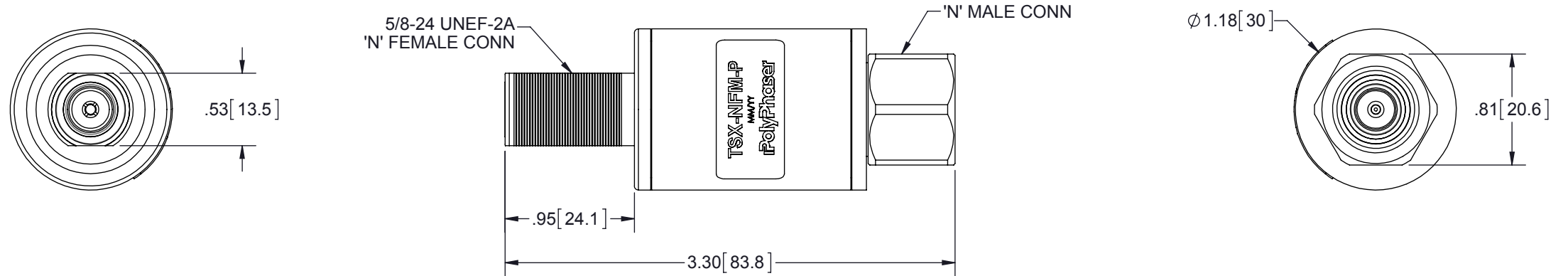
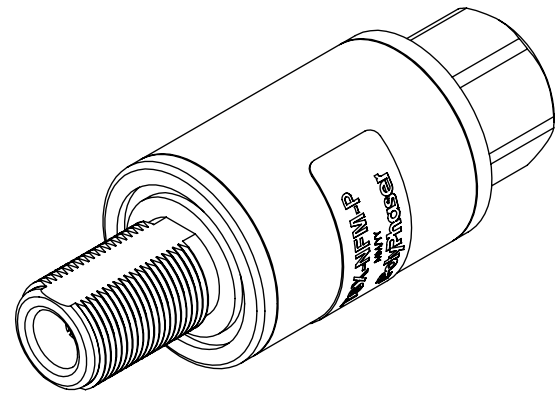


REVISIONS				
REV.	DESCRIPTION	ECN	DATE	APPROVED
C	REFER TO ECN	11014	10/2/12	RD



MAXIMUM CHARACTERISTICS

APPLICATION:
DC SHORT/RF ONLY (NO POWER SUPPLY PROVISIONS)
BULKHEAD MOUNT BI-DIRECTIONAL
WEATHERPROOF WHEN INSTALLED

FREQUENCY RANGE:
698MHz TO 2.7GHz @ -26dB RETURN LOSS

MAX SURGE:
IEC 61000-4-5 8/20µs WAVEFORM
40kA MAX
20kA MULTIPLE

INSERTION LOSS:
≤0.1dB

CONTINUOUS POWER:
500W @ 920MHz
(750W @ 50°C)

LET THROUGH VOLTAGE:
≤±200mV FOR 3kA @ 8/20µs WAVEFORM

THROUGHPUT ENERGY:
≤5nJ FOR 3kA @ 8/20µs WAVEFORM

PIM 3rd ORDER:
-112dBm; 2 X 20W

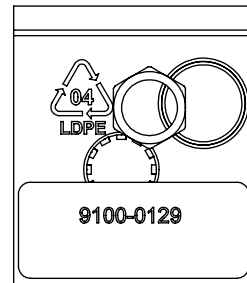
TEMPERATURE:
-50°C TO +85°C STORAGE/OPERATING

VIBRATION:
1G @ 5Hz TO 100Hz

MATERIAL:
BODY: TRI-PLATED BRASS
PTFE: DIELECTRIC
CENTER PINS: GOLD PLATED

ENVIRONMENTAL:
MEETS IEC 60529 IP67
MEETS BELLCORE #TA-NWT-000487
PROCEDURE 4.11, 120MPH WIND DRIVEN
RAIN INTRUSION TEST

RoHS COMPLIANT



QTY	DESCRIPTION
1	5/8 MOUNTING NUT
1	INT TOOTH LOCKWASER
1	O-RING

CUSTOMER APPROVAL: _____ DATE: _____

ALL DIMENSIONS SHOWN ARE FOR REFERENCE ONLY.

UNLESS OTHERWISE SPECIFIED LEADING DIMENSIONS ARE INCHES DIMENSIONS IN [] ARE MILLIMETERS	DRAWN	RD	DATE	02/09/12				
	ENG APPD	JJ	5/18/12					
TOLERANCES: FRACTIONS=± 1/32 .XX=± .01 ANGLES=± 1° .XXX=± .005	PRODUCT MGR	CP	5/18/12		BI-DIRECTIONAL BROADBAND DC SHORT FILTER 'N' CUSTOMER SPECIFICATION			
	MARKETING APPD	LJ	5/18/12					
MATERIAL	PROJECT NO.				SIZE	CAGE	DOCUMENT NAME	REV
THIRD-ANGLE PROJECTION	NOTICE: THE INFORMATION AND DESIGN IN THIS DOCUMENT IS THE PROPERTY OF TRANSTECTOR SYSTEMS. ALL RIGHTS RESERVED.				B	61114	TSX-NFM-P-C	C
					SCALE	PROD CAT	PART NUMBER	SHEET OF
					1:1	RFP	TSX-NFM-P	1 OF 1

THESE COMMODITIES, TECHNOLOGY OR SOFTWARE WERE EXPORTED FROM THE UNITED STATES IN ACCORDANCE WITH THE EXPORT ADMINISTRATION REGULATIONS. DIVERSION CONTRARY TO U.S. LAW PROHIBITED.