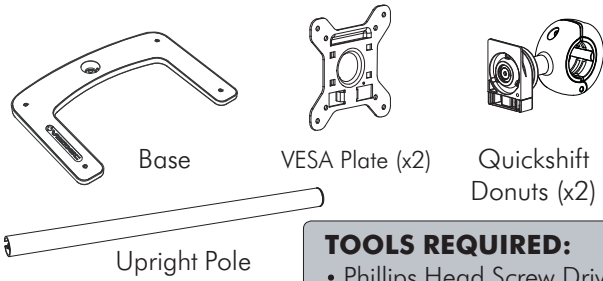
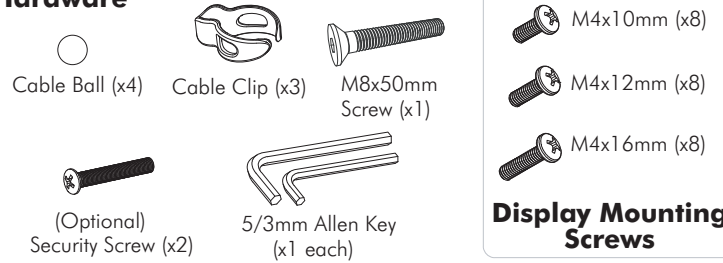


Component Checklist



TOOLS REQUIRED:
• Phillips Head Screw Driver

Hardware



IMPORTANT INFORMATION:

! IMPORTANT - Install Visidec Freestanding/Double Vertical as per Installation Instructions.

! Each Quickshift Donut supports a maximum weight of 12kg (26.5lbs)

! This product supports VESA mounting hole configurations: 75x75mm and 100x100mm.

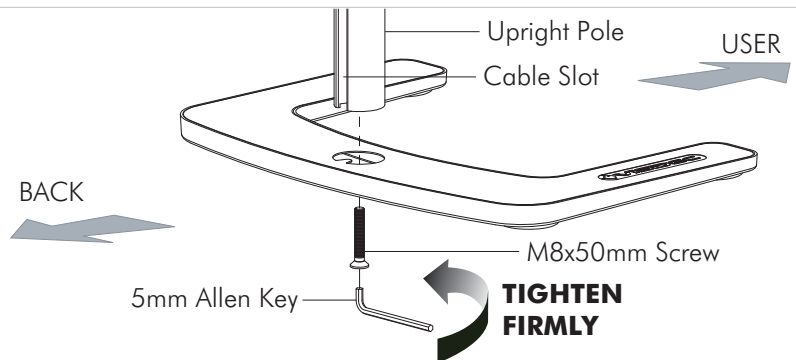
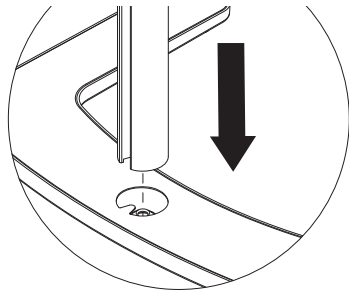
! The manufacturer accepts no responsibility for incorrect installation.

Step 1. Check Components

Check you have received all parts against the component checklist and Hardware above.

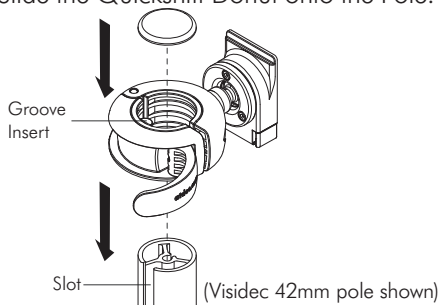
Step 2. Attach Upright Pole to Base

Attach the Upright Pole to the Base as shown below. Ensure the Cable Slot faces towards the rear.

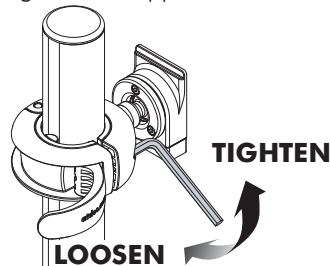


Step 3. Attach Quickshift Donuts to the Visidec Pole (Ensure the cable slot faces towards the rear)

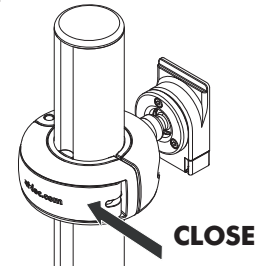
Slide the Quickshift Donut onto the Pole.



If the Quickshift Donut requires further tightening use the supplied 5mm Allen key.



Close the lever to lock the Quickshift Donut in place.

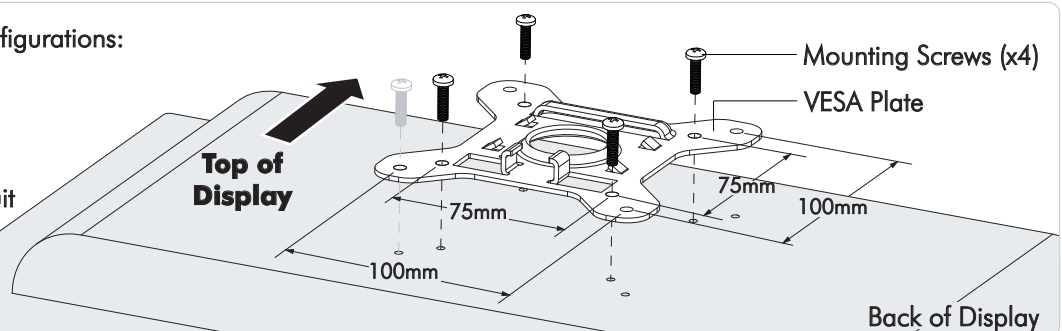


Step 4. Attach the VESA Plate to your Display (Repeat steps 4 to 7 for each Display)

There are two mounting hole configurations:

- 75 x 75mm
- 100 x 100mm

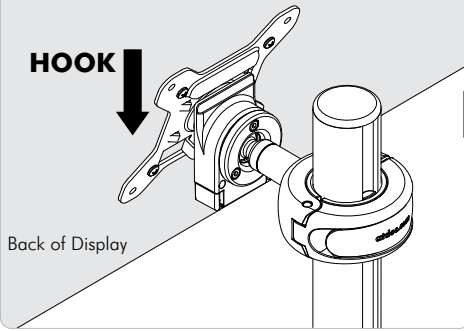
from the Hardware supplied to suit your Display.



Step 5. Attach your Display to the Quickshift Donut

Hook the top of the VESA plate onto the Quickshift Mount.

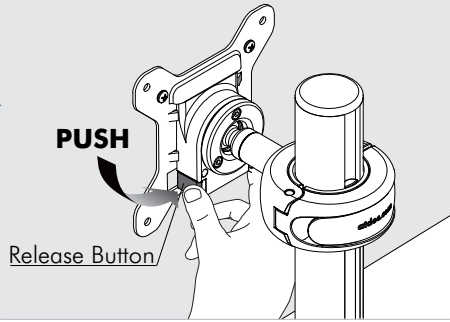
HOOK



Press and hold the Release Buttons. Gently push bottom of VESA Plate into Quickshift Mount. Release Buttons to lock in place.

PUSH

Release Button

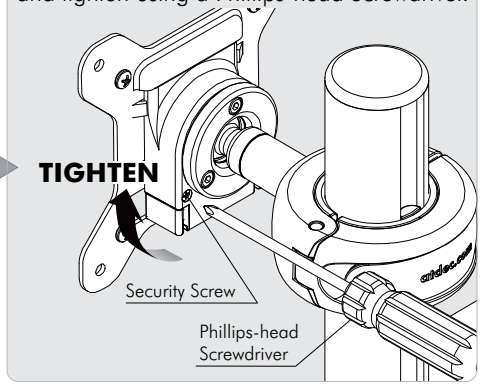


(Optional) Insert the Security Screw, and tighten using a Phillips-head Screwdriver.

TIGHTEN

Security Screw

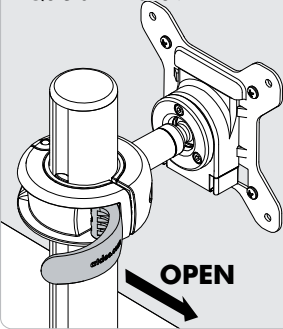
Phillips-head Screwdriver



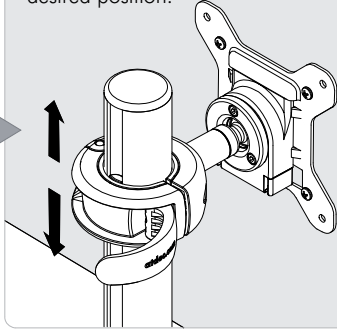
Step 6. Adjust the Height of the Quickshift Donut

Open the lever to loosen the Quickshift Donut.

OPEN



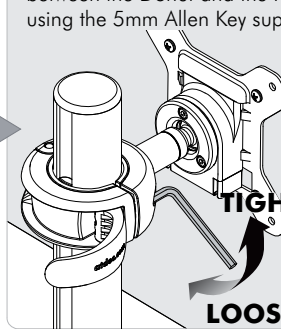
Slide the Quickshift Donut to desired position.



If necessary, adjust the tension between the Donut and the Pole using the 5mm Allen Key supplied.

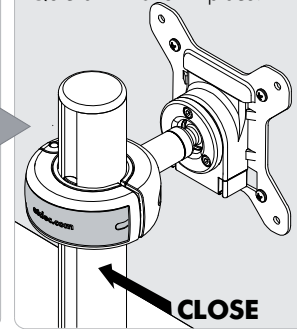
TIGHTEN

LOOSEN



Close the lever to lock the Quickshift Donut in place.

CLOSE



Step 7. Adjust the VESA Ball Mount

Position your Display to the desired viewing angle using the $\pm 20^\circ$ tilt allowed by the VESA Ball Mount.

To make any adjustments, use the 3mm Allen Key supplied. Apply half a turn at a time to each screw on the Tension Plate to adjust evenly.

If the display does not hold its position, or is too resistant, adjust the Tension Plate located at the rear of the VESA Ball Mount.

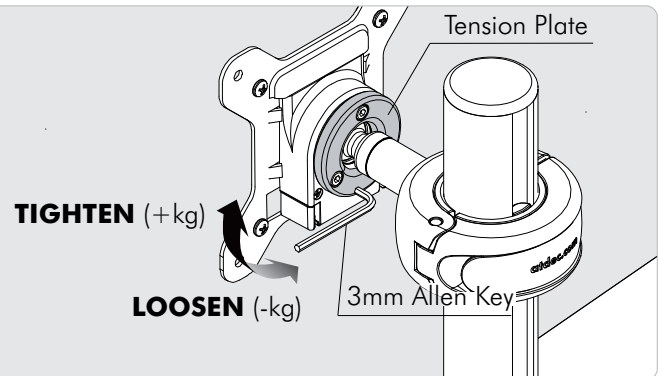
Check the display, and the adjust again if necessary.

TIGHTEN (+kg)

LOOSEN (-kg)

Tension Plate

3mm Allen Key



Step 8. Cable Management

Connect cables to your Displays, routing them down to the rear of the poles.

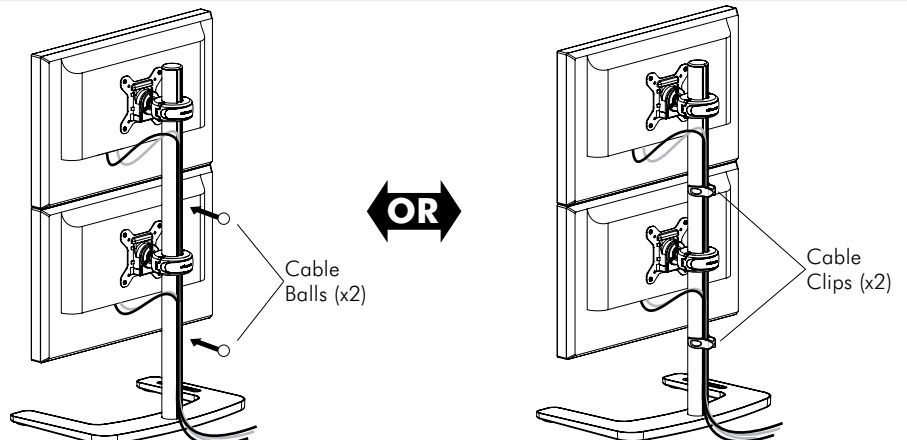
Push the cables into the slots, using either the Cable Balls or Cable Clips to secure them to the pole as shown.

Note: Ensure enough slack is left in cables to allow for movement. When the slot in each pole cannot be used, use the supplied Cable Clips to secure the cables.

Cable Balls (x2)

OR

Cable Clips (x2)



Installation Complete



No portion of this document or any artwork contained herein should be reproduced in anyway without the express written consent Atdec Pty Ltd. Due to continuing product development, the manufacturer reserves the right to alter specifications without notice. Published 12.10.11©