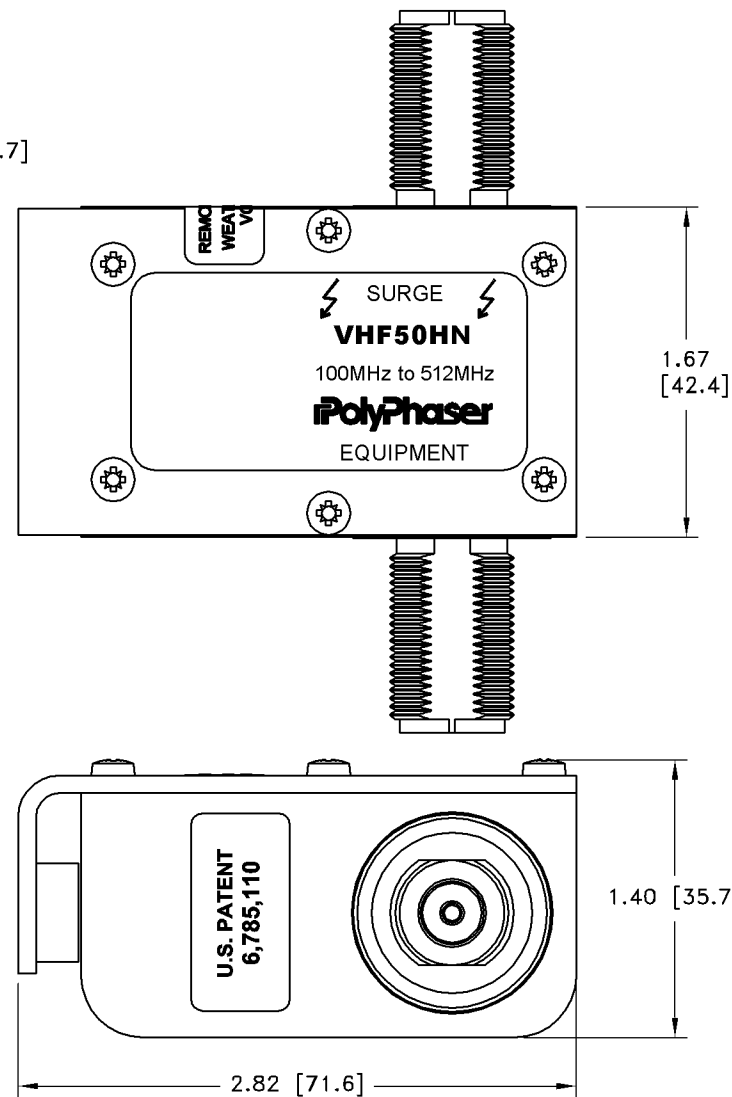
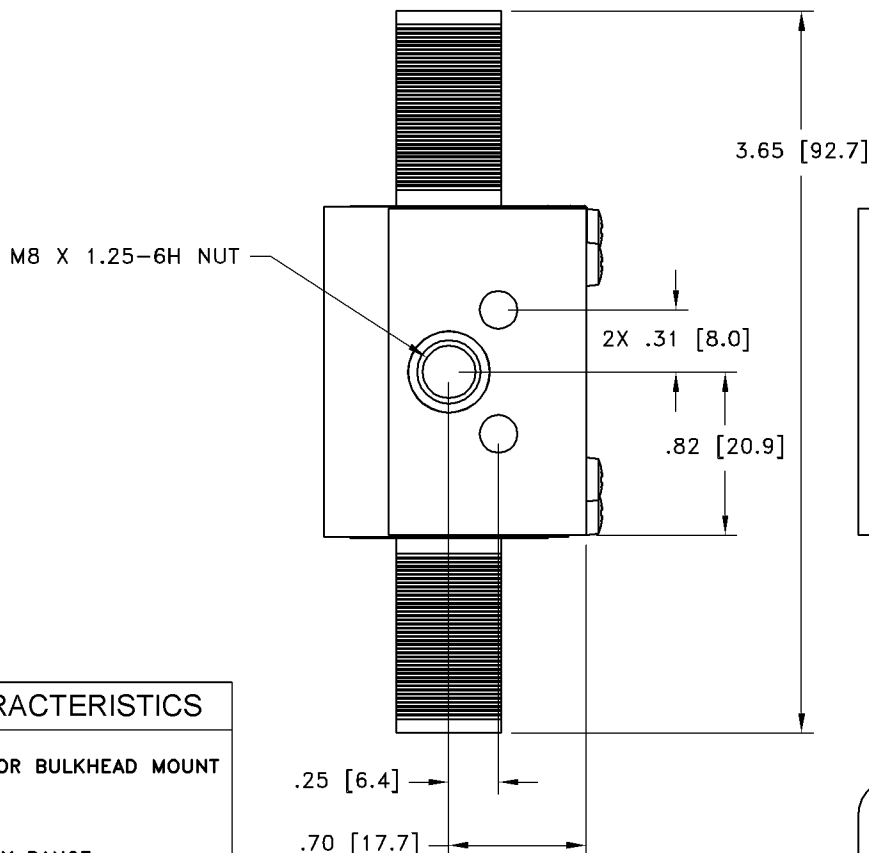


ALL DESIGN, OPERATIVE AND PROCESS DATA PERTAINING TO THE ARTICLE SHOWN ON THIS SHEET IS THE PROPERTY OF POLYPHASER CORPORATION. THE INFORMATION IS NOT TO BE COPIED, REPRODUCED, REVEALED TO OR APPROPRIATED BY OTHERS WITHOUT THE EXPRESS WRITTEN CONSENT OF POLYPHASER CORPORATION.

These commodities or technology are exported from the U.S. in accordance with the Export Administration Regulations. Diversion contrary to U.S. law prohibited.


REVISIONS				
REV LTR	DATE	ENG	MKTG	Q.A.
D	09/08/08 <sup>SH</sup>	AD	--	--



**MAXIMUM CHARACTERISTICS**

APPLICATION:  
**WEATHERIZED, FLANGE OR BULKHEAD MOUNT**  
 FREQUENCY RANGE:  
**100MHz TO 512MHz**  
 VSWR:  
 ≤1.1:1 OVER FREQUENCY RANGE  
 INSERTION LOSS:  
 ≤0.1dB OVER FREQUENCY RANGE  
 POWER:  
**750W RMS AVERAGE**  
 MAX. SURGE:  
**20kA IEC 61000-4-5 8/20μs WAVEFORM**  
 THROUGHPUT ENERGY:  
 ≤500nJ FOR 3kA, 8/20μs WAVEFORM  
 RELATIVE HUMIDITY:  
 TO 95%  
 ENVIRONMENTAL:  
 MEETS IEC 60529 IPC67  
 MEETS BELLCORE #TA-NWT-000487  
 PROCEDURE 4.11, WIND DRIVEN (120MPH)  
 RAIN INTRUSION TEST.  
 TEMPERATURE:  
 -50°C TO +85°C STORAGE/OPERATING

CUSTOMER APPROVAL: \_\_\_\_\_ DATE: \_\_\_\_\_  
 ALL DIMENSIONS SHOWN ABOVE ARE FOR REFERENCE ONLY.

DRAFTER S. HALL	DATE 04/22/03	 DWG NO/PART NO/DESCRIPTION <b>VHF50HN</b> CUSTOMER PRINT			
MECH ENGINEER R. DUNNING	DATE 04/28/03				
ELEC ENGINEER N. TOPCU	DATE 04/24/03				
MARKETING S. DOTTER	DATE 04/28/03				
QUALITY DEPT L. JACQUES	DATE 04/25/03				
CAGE CODE 61114	FILE NAME -C1	SCALE 1/1	SHEET 1 OF 1		