

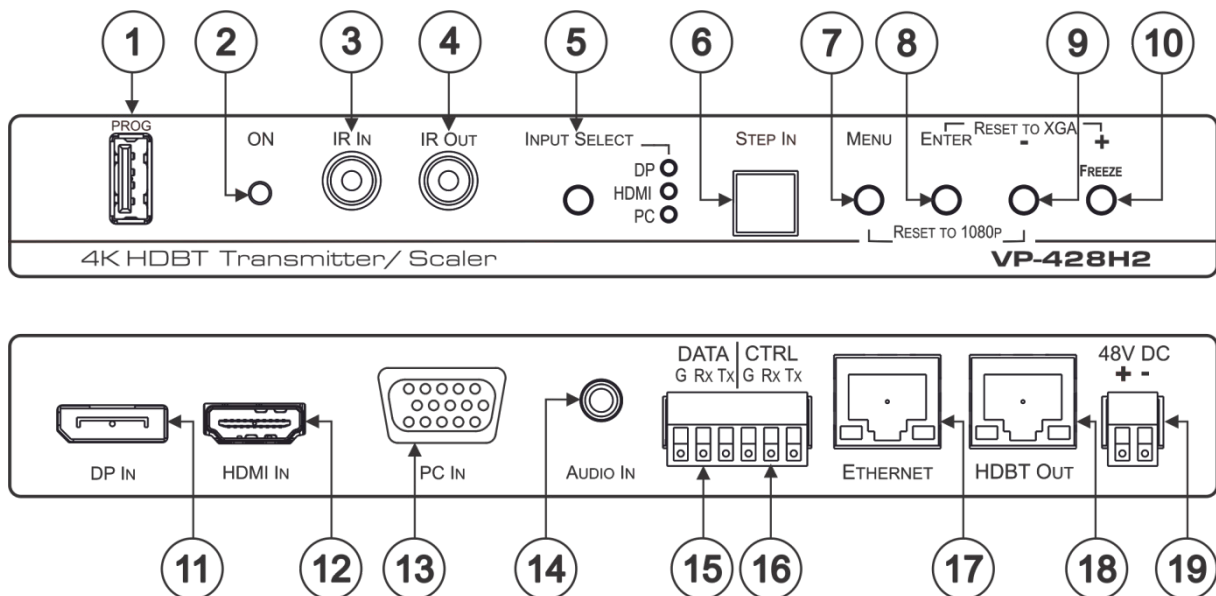
## VP-428H2 Quick Start Guide

This guide helps you install and use your **VP-428H2** for the first time.

### Step 1: Check what's in the box

- ✓ **VP-428H2** 4K HDBT Transmitter/Scaler
- ✓ 1 Bracket set
- ✓ 1 Quick start guide
- ✓ 1 Power adapter and cord
- ✓ 4 Rubber feet

### Step 2: Get to know your VP-428H2



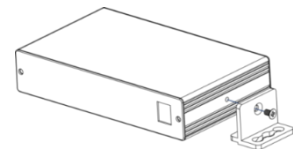
#	Feature	Function
1	PROG USB Connector	Connects to a USB memory stick for programming upgrade.
2	ON LED	Lights green when the unit is powered on.
3	IR IN 3.5mm Mini Jack	Connects to an IR sensor.
4	IR OUT 3.5mm Mini Jack	Connects to an IR emitter.
5	INPUT SELECT Button	Press to cycle between inputs.
	INPUT SELECT LEDs	The selected input lights.
6	STEP-IN Button	Press to activate the input on the switcher to which the <b>VP-428H2</b> is connected.
7	MENU Button	Press to enter/exit the on-screen display (OSD) menu. Press together with the - button to reset to 1080p.
8	ENTER Button	In OSD, press to choose the highlighted menu item. Press together with the + / FREEZE button to reset to XGA.
9	-	In OSD, press to move back through the list or to decrement the parameter value.
10	+ / FREEZE Button	In OSD, press to move forward through the list or to increment the parameter value. When not in OSD, press to freeze the display.
11	DP IN DisplayPort Connector	Connect to a DisplayPort source.
12	HDMI IN Connector	Connect to an HDMI source.
13	PC IN 15-pin HD Connector	Connect to a computer graphics source.

#	Feature	Function
14	AUDIO IN 3.5mm Mini Jack	Connects to an unbalanced stereo audio source.
15	DATA (G, Rx, Tx)Terminal Block Connectors	Connect to a source for tunneling control commands via HDBaseT.
16	CTRL (G, Rx, Tx)Terminal Block Connectors	Connect to the PC or the remote controller to control <b>VP-428H2</b> .
17	ETHERNET RJ-45 Connector	Connect to a PC via a LAN to tunnel Ethernet data via HDBT.
18	HDBT OUT RJ-45 Connector	Connect to an HDBaseT receiver.
19	48V DC Power Terminal Block Connector	Connect to the Kramer power adapter.

### Step 3: Install the VP-428H2

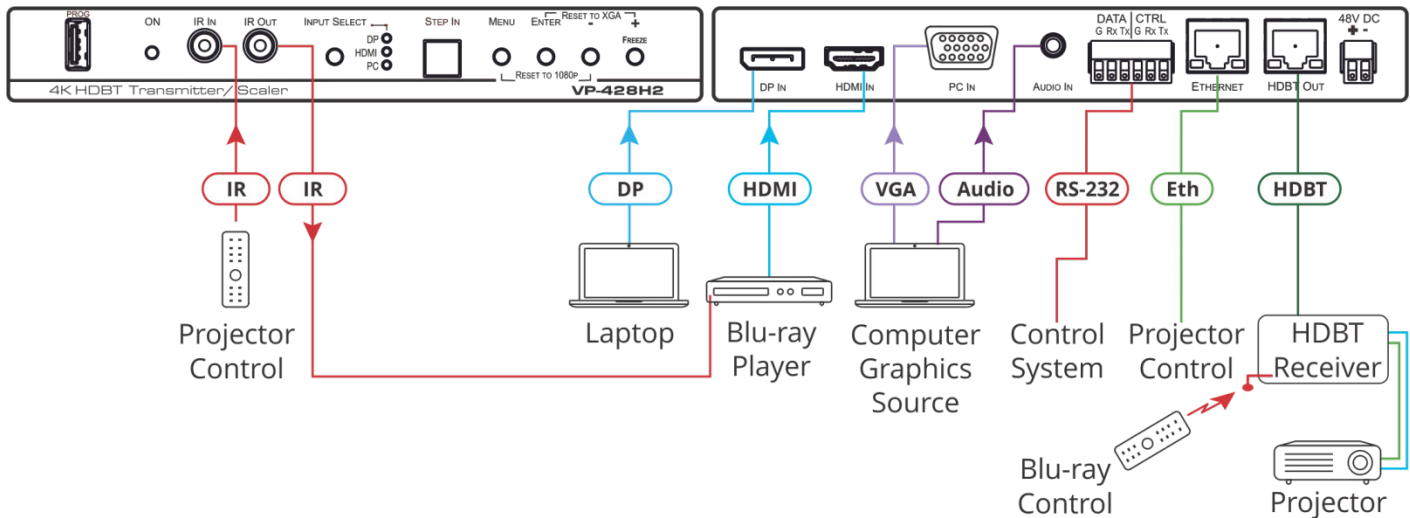
Install **VP-428H2** using one of the following methods:

- Attach the rubber feet and place the unit on a flat surface.
- Fasten a bracket (included) on each side of the unit and attach it to a flat surface.
- Mount the unit in a rack using an optional **RK-T2B** rack adapter.



### Step 4: Connect the inputs and outputs

Always switch OFF the power on each device before connecting it to your **VP-428H2**. For best results, we recommend that you always use Kramer high-performance cables to connect AV equipment to the **VP-428H2**.



### Step 5: Connect the power

Connect the 48V DC power adapter to the **VP-428H2** and plug the adapter into the mains.

#### Safety Instructions



- Caution:** There are no operator serviceable parts inside the unit.
- Warning:** Use only the Kramer Electronics power supply that is provided with the unit.
- Warning:** Disconnect the power and unplug the unit from the wall before installing.