

Winegard® Elite™ 7550

Long Range VHF/UHF Outdoor HDTV Antenna



WINEGARD COMPANY ONE YEAR LIMITED WARRANTY

Winegard Company provides a warranty to the original purchaser of new Winegard Products against proven defects in materials or workmanship for a period of one (1) year from date of purchase, subject to the terms herein. If a Product covered under this warranty is determined to be defective within the warranty period, Winegard will, unless otherwise required by applicable law, either repair or exchange the Product at its sole discretion. This Warranty is non-transferable, and does not cover products purchased, services or used outside the United States or Canada. This Warranty does not extend to the elimination of externally generated static or noises, or use of the products in a location without sufficient signal strength.

How to Obtain Warranty Service (Pre-authorization is required)

To obtain warranty service

PRE-AUTHORIZATION MUST BE OBTAINED BEFORE SENDING ANY PRODUCT TO

WINEGARD. Proof of purchase in the form of a purchase receipt or copy thereof is required to show that a Product is within the warranty period.

Winegard Company will (at its option) repair or replace the defective product at no charge to you. This warranty does not cover any costs incurred in removal or reinstallation of the product. This limited warranty does not apply if the product is damaged, deteriorates, malfunctions or fails from: misuse, improper installation, abuse, neglect, accident, tampering, modification of the product as originally manufactured by Winegard Company, usage not in accordance with product instructions or acts of nature such as damage caused by wind, lightning, ice or corrosive environments.

WINEGARD COMPANY WILL NOT ASSUME ANY LIABILITIES FOR ANY OTHER WARRANTIES, EXPRESS OR IMPLIED, MADE BY ANY OTHER PERSON.

THE FOREGOING WARRANTY SHALL BE THE SOLE AND EXCLUSIVE REMEDY OF ANY PERSON, WHETHER IN CONTRACT, TORT OR OTHERWISE, AND WINEGARD COMPANY SHALL NOT BE LIABLE FOR INCIDENTAL OR CONSEQUENTIAL DAMAGE OR COMMERCIAL LOSS, OR FROM ANY OTHER LOSS OR DAMAGE EXCEPT AS SET FORTH ABOVE. ANY ACTION FOR ANY BREACH OF WARRANTY HEREUNDER MUST BE BROUGHT WITHIN TWENTY-FOUR (24) MONTHS FROM THE DATE OF ORIGINAL PURCHASE. IN NO EVENT SHALL WINEGARD COMPANY'S LIABILITY HEREUNDER EXCEED THE PURCHASE PRICE PAID FOR THE PRODUCT.

Some states do not allow limitations on how long an implied warranty lasts, or the exclusion of limitation of incidental or consequential damages, so the above limitations or exclusions may not apply to you.

This warranty gives you specific legal rights and you may also have other rights which vary from state to state.

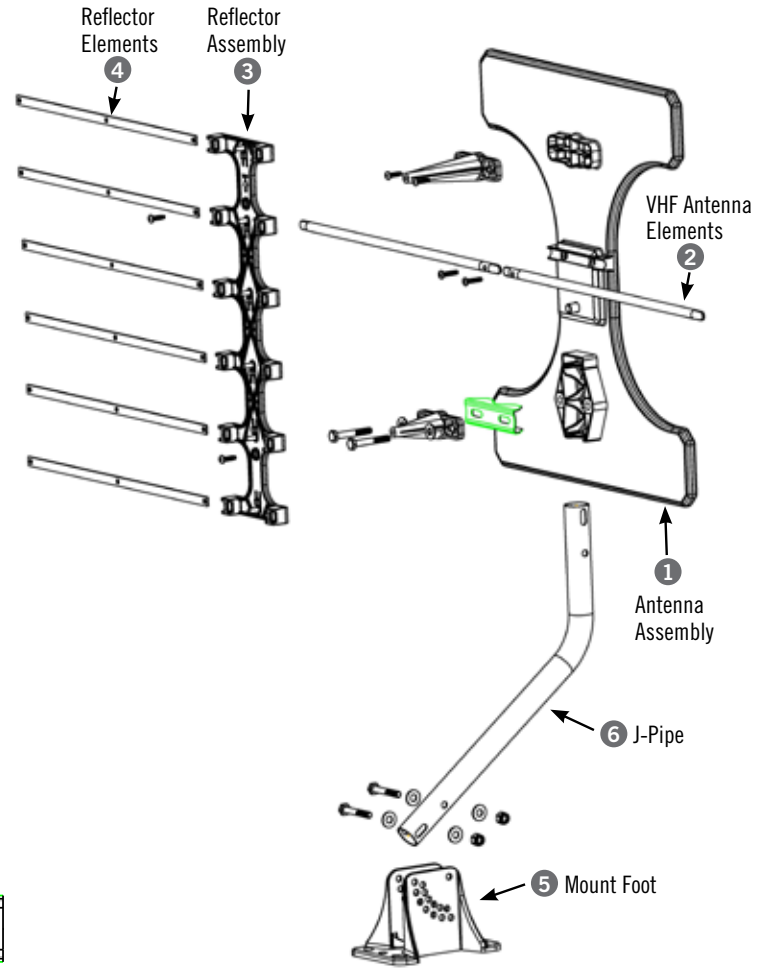
Rev 7-14



2452393
Rev0 7-17

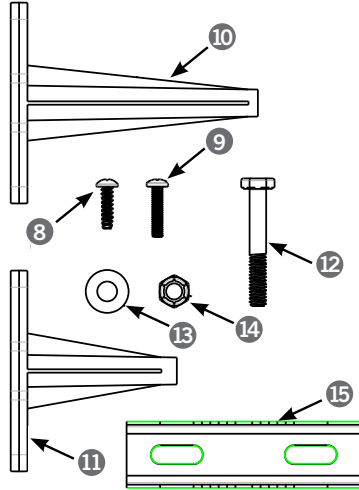
Antenna Components

1. Antenna Assembly (1)
2. VHF Antenna Elements (2)
3. Reflector Assembly (1)
4. Reflector Elements (6)
5. Mount Foot (1)
6. J-Pipe (1)
7. Amplifier (1)



Hardware Bag

8. 5/8" Screw (4)
9. 3/4" Screw (2)
10. Upper Adapter, longer (1)
11. Lower Adapter, shorter (1)
12. Bolt (4)
13. Washer (6)
14. Nut (2)
15. Mast Clamp (1)



Specifications

Amplified VHF/UHF antenna

Dimensions of antenna head:

29.28" w x 26.24" h w/mt x 12.1" d w/mt

Assembly required

Recommended for use with RG-6 coaxial cable (not included)

Weather proof connector recommended (not included)

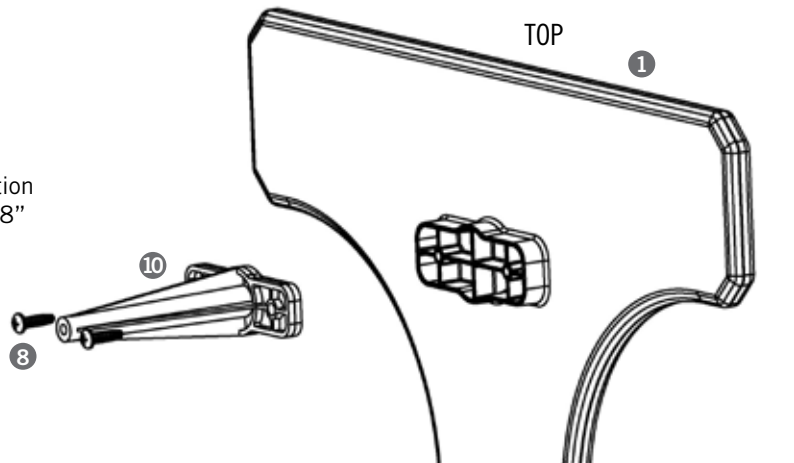
Mounting supplies: pipe, foot, & hardware for connecting antenna head to pipe and foot

Other parts included: 3' USB cable, power inserter, 110V wall adapter

Antenna Assembly

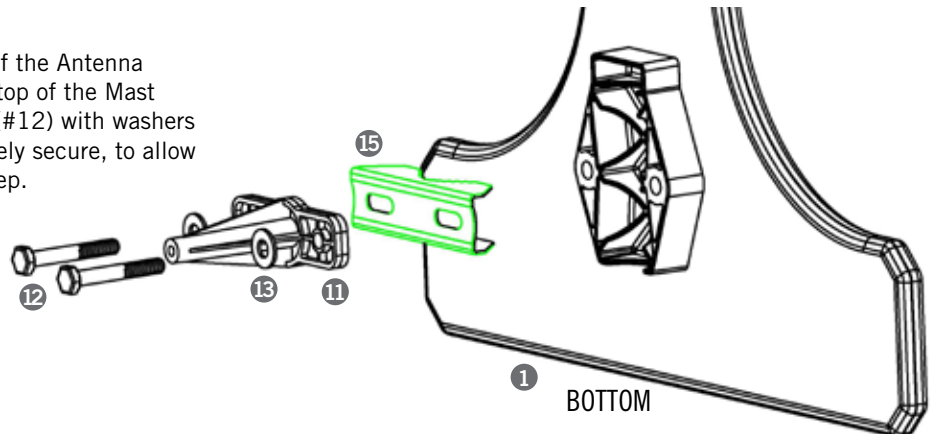
STEP 1.

Place the Antenna Assembly (#1) so that the Winegard logo is facing upward. Attach the Upper Adapter (#10) to the top portion of the Antenna Assembly (#1). Align the holes, and use two 5/8" screws (#8) to tighten, using a Phillips screwdriver.



STEP 2.

Place Mast Clamp (#15) on the bottom portion of the Antenna Assembly (#1). Set the Lower Adapter (#11) on top of the Mast Clamp (#15) and align the holes. Use two bolts (#12) with washers (#13) and turn bolts three times by hand to loosely secure, to allow for the placement of the J-Pipe (#6) at a later step.

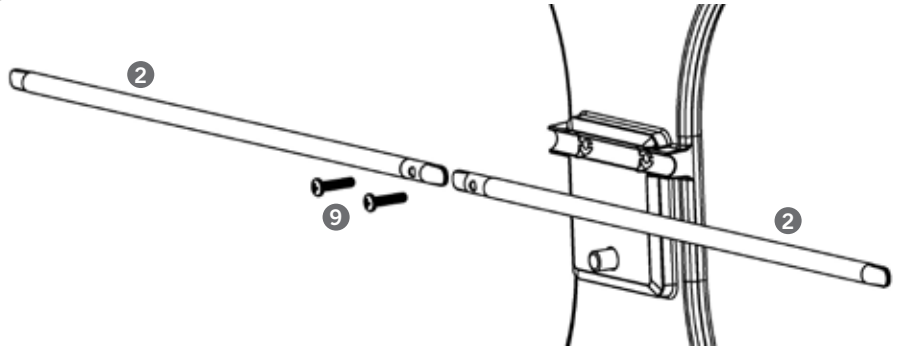


Antenna Assembly (cont)

STEP 3.

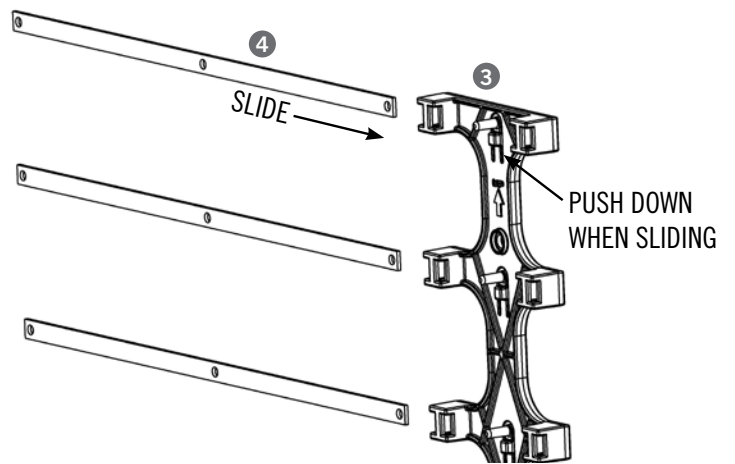
Align the two VHF Antenna Elements (#2) with the holes on the center slot directly above the coax connector of the Antenna Assembly (#1). Attach using two 3/4" screws (#9) and tighten with a Phillips screwdriver.

DO NOT OVER TIGHTEN. Electronics are located underneath and over-tightening could cause damage to the functionality of the antenna.



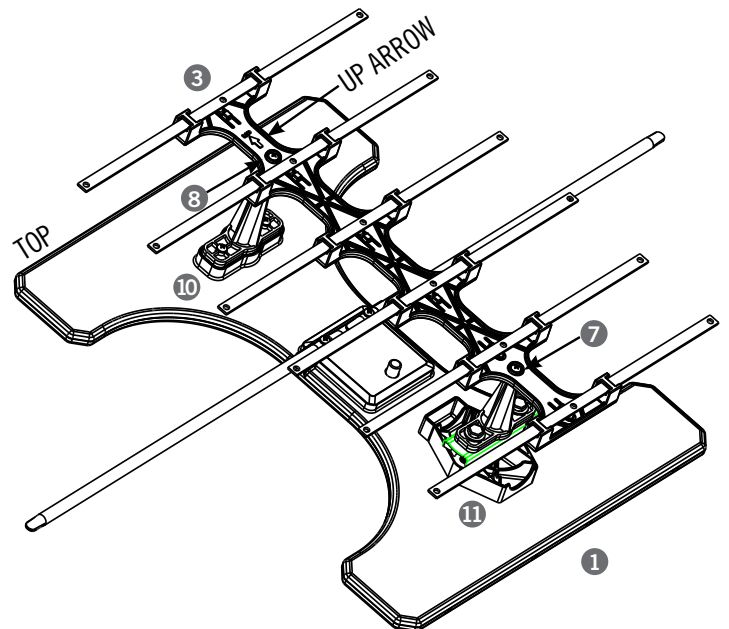
STEP 4.

Slide the Reflector Elements (#4) into the slots of the Reflector Assembly (#3). When sliding, push down the middle tabs of the Reflector Assembly (#3) to allow the elements to pass through. Continue sliding the element until it clicks in the middle hole. Repeat this process for the remaining five elements.



STEP 5.

Attach the completed Reflector Assembly (#3) to the main Antenna Assembly (#1), making sure the up arrow on the Reflector Assembly (#3) is going in the proper direction. Align the two holes on the Reflector Assembly (#3) with the holes on the Upper Adapter (#10) and Lower Adapter (#11). Attach with two 5/8" screws (#8) and tighten with a Phillips screwdriver.



Antenna Assembly (cont)

STEP 6.

Determine the desired installation location of the antenna and install the Mount Foot (#5) in the preferred location. (Hardware not provided). **See WARNINGS.**

WARNINGS:

Installation of this product near power lines is dangerous. The antenna should maintain a minimum clearance of 3' from power lines, wires, trees, or other obstructions. If unable to maintain this safe distance, stop! If you are not sure that you can install the antenna safely, do not try it! Contact a professional installer.

To prevent fire or shock hazard, do not expose the power inserter to moisture.

Do not install the power inserter outdoors; it is intended for indoor use only.

Do not connect a cable from the "ANT/AMP" port of the power inserter to the TV. Incorrectly connecting the power inserter will overload & damage the power inserter.

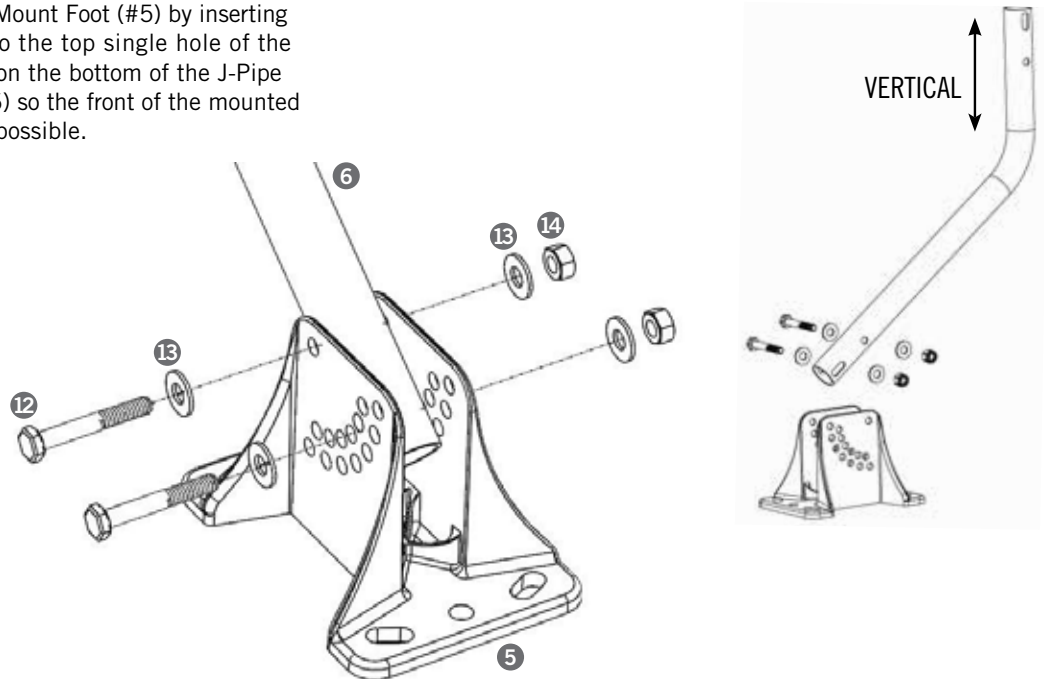
Check your local code for grounding specifications.

STEP 7.

Attach the J-Pipe (#6) to the installed Mount Foot (#5) by inserting one bolt (#12) with washer (#13) into the top single hole of the Mount Foot (#5) through the top hole on the bottom of the J-Pipe (#6). Adjust the angle of the J-Pipe (#6) so the front of the mounted antenna will be as close to vertical as possible.

Once the desired angle is established, insert a bolt (#12) with washer (#13) into the appropriate hole on the Mount Foot (#5) and through the bottom slot of the J-Pipe (#6).

Finish attaching both bolts (#12) with washers (#13) and nuts (#14) and tighten using 7/16" wrench.



STEP 8.

Attach the completed Antenna Assembly (#1) to the J-Pipe (#6) by sliding the Antenna Assembly onto the J-Pipe (#6) through the Mast Clamp (#15)/Lower Adapter (#11). Make sure the up arrow on the Antenna Assembly is going in the proper direction.

STEP 9.

Position the antenna toward the broadcast tower for optimal reception. Once the antenna is pointed in the proper direction, tighten the Lower Adapter (#11) bolts with a 7/16" wrench to secure the antenna to the J-Pipe (#6).

STEP 10.

Install coaxial cable (sold separately). *Weather-proof connector recommended.* Once the antenna is pointed in the proper direction and cables have been connected, run a channel scan, and note all channels that you are receiving. Try repositioning the antenna head on the pipe, and re-run a channel scan every time the antenna is repositioned, again noting all channels that you are receiving. Repeat until satisfied with the channels found.

