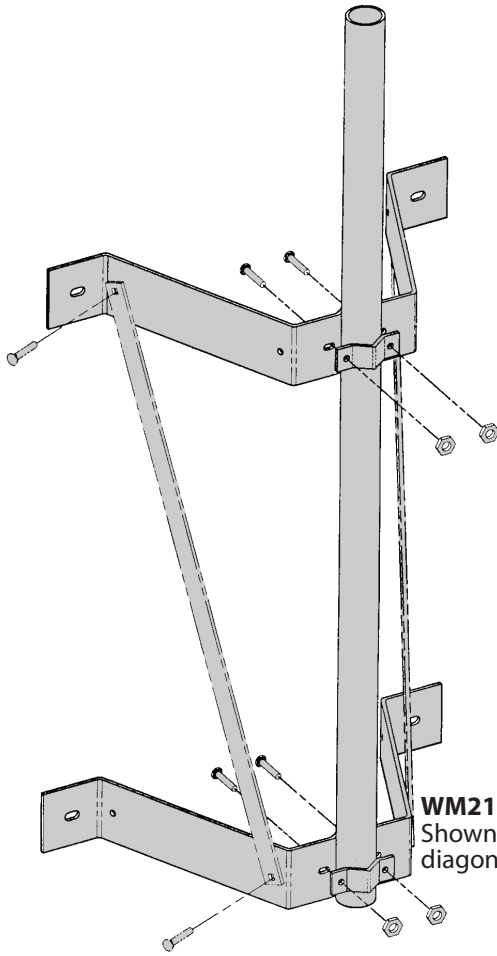


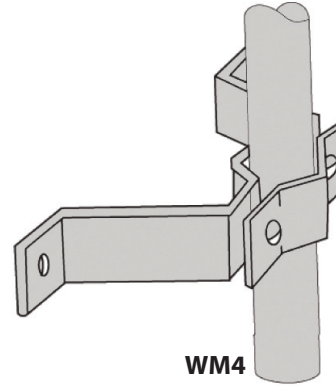


# WM212 / WM4 - 24 SINGLE & DOUBLE BRACKET

ROHN Wall Mounts can be used on masonry, wood, metal, and other types of walls. The Wall Mounts are versatile, coming in a variety of stand off lengths and supporting up to 2-3/8" OD masts. The mounts are available as single brackets or double brackets. Masts are held in place with a unique "Anti-Twist" locking clamp. Galvanized for durability, these wall mounts are UPS shippable.



**WM212**  
Shown with optional diagonal strap kit



**WM4**

Accepts round members 7/8" - 2 1/2" O.D.

<b>Double:</b>	
WM212	2" Pipe x 72" long Wall Mount Kit
WMB12A	Optional Diagonal Strap Kit

<b>Single:</b>	
WM4	4" clearance
WM6S	6" clearance
WM8S	8" clearance
WM12S	12" clearance
WM18S	18" clearance
WM24S	24" clearance
<b>Double:</b>	
WM8D	8" clearance
WM12D	12" clearance
WM18D	18" clearance
WM24D	24" clearance

Notes:

1. It is the purchaser's responsibility to verify that their installation and building system will withstand all loads imposed by his antenna system.
2. Antenna installations should be grounded by the installer to meet all applicable codes.
3. Inspect the mount and antenna every 6 months.
4. Optional ROHN hardware mounting kits for WM212 and WMB12A may be purchased separately from ROHN (P/N HMK18M).
5. All parts are hot-dip galvanized after fabrication
6. Pal nuts are provided with all bolt assemblies.
7. Local zoning and/or building codes and insurance companies may require an architect or structural engineer approval prior to installation.