

SM-3032S User's Manual

Outdoor/indoor wired Sony CCD color camera with 100ft cable and night vision

Package Contents:

- Weatherproof color camera with mounting bracket (metal)
- 100ft VP (video/power) cable
- 12VDC power adapter (UL)
- Mounting accessories

Features:

- Crystal clear 420TVL, 1/3" Weatherproof Sony CCD color camera
- Streamline weatherproof (IP65) camera body
- Built-in 30 IR LED for night vision (B/W) up to 100ft
- Convenient all-in-one D.I.Y. (do-it-yourself) kit which includes camera with built-in infrared, bracket, VP cable, and power adapter
- Automatic Electronic Shutter (AES), Back Light Compensation (BLC), and Automatic Gain Control (AGC)

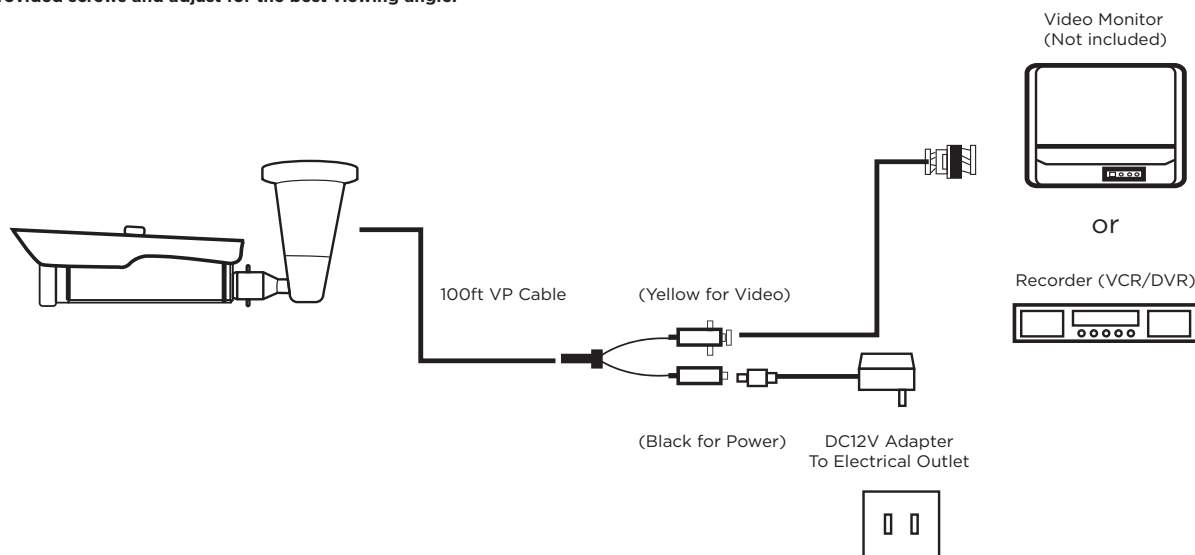
Specifications

Image Pick-up Device	SONY II Super HAD 1/3" Color CCD	Viewing Angle	75° /55° (horizontal/vertical)
Effective Picture Elements	NTSC: 512(H) x 492(V)	Synchronous System	Internal
Horizontal Resolution	420 horizontal TV lines	Scanning System	2:1Interface
Lens Furnished	3.6mm	Video Output	1 Vp-p Composite Video / 75 Ohms BNC
Minimum Illumination	0 Lux with IR on (night time)	Weatherproof	IP65
S/N Ratio	> 48 dB	Power Supply	12V DC / 1.0A (AC 110v-220v), UL
Auto Electronic Shutter	NTSC:1/50s-1/100,000s, PAL:1/60s-1/110,000s	Operating Temp.	-10 C to 50 C (14 F to 122 F)
Back Light Compensation	Auto	IR LED	30pcs of Ø5 IR LED
Gain Control	Auto	IR Night Vision Range	100ft (30m) max
White Balance	Auto	Camera Dimensions	6" x 3.75" x 2" (without bracket)
Gamma Correction	R>0.45	Camera Weight (Net)	1.14 lbs (camera only, no adapter, cable, & package)

How it works:

- Connect one end of the 100ft VP cable to the camera's BNC video output (yellow) and connect the power input (black) receptacles.
- On the other end of the 100ft VP cable, connect the video output receptacle (yellow) to the video input of a monitor/TV (for direct display) or DVR/VCR (for recording).
- Connect the power receptacle (black) of the other end of the 100ft cable to one end of the included power adapter and the other end of the power adapter into an electrical outlet as illustrated below.

Note: Be sure to change the channel of the monitor output to auxiliary input channel, ie. VIDEO 1, VIDEO 2, LINE 1, LINE 2, & etc. An additional BNC (female) to RCA (male) converter is required; please check your local electric store. Position the camera to a desired location, mount it with the provided screws and adjust for the best viewing angle.



Operating Restrictions:

DO NOT use this product to violate one's privacy. Monitoring one's activities without consent is illegal and this product is not designed and manufactured for these purposes.
DO NOT use this product for any illegal activities. SecurityMan shall not be responsible for any consequences of illegal conducts by users.

Conditions:

Please read the following messages to make sure whether your working environment is suitable.

- Ensure there is enough space for camera ventilation.
- Operation temperature should be between -10°C and 50°C (14F - 122°F). The relative humidity should remain from 20% to 80%.
- Avoid putting the product in places where there are rapid changes in temperature and/or humidity.
- Installation should be high in dry location, dustless and avoid exposure to direct sunlight.
- Keep product away from heat sources such as electric heater.
- Do not use the camera near aggressive chemicals.
- Do not place product near any magnetic objects.

Maintenance:

- It might influence the normal operation of the product if used at the fringe range of normal temperature.
- Please unplug the power when not in use
- Do not disassemble the product.
- Do not shake, stricken the product, or touch the camera's lens.
- Do not install this camera near or under water- for example, near or in a bath tub, wash bowl, kitchen sink or laundry tub, in a wet basement or near a swimming pool and etc.
- Please obey the local government's environment protection policy

Copyright Notice

This manual is furnished under license and may be used or copied only in accordance with the terms of such license. Except as permitted by such license, no part of this publication may be reproduced, stored in a retrieval system, or transmitted, in any form or any means, electronic, mechanical, recording, or otherwise, including translation to another language or format, without the prior written permission of SecurityMan.

The content of this manual is furnished for informational use only, is subject to change without notice, and should not be construed as a commitment by SecurityMan. SecurityMan assumes no responsibility or liability for any errors or inaccuracies that may appear in this book. All other product names, trademarks and registered trademarks in this document are the properties of their respective holders.

FCC Information

This product complies with Part 15 of FCC Regulations. Operation is subject to the following two conditions:

- (1) This product should not cause any harmful interference.
- (2) This product must receive any interference received, including interference that may cause undesired operation.

Operation of this equipment in a residential area is likely to cause interference in which case the user at his or her own risk and expense will be required to correct the interference.

Warranty

SecurityMan warrants that this product will be free from defects in material and workmanship for a period of one year or otherwise specified on the product packaging. This limited warranty shall commence from the date of purchase. SecurityMan Products warranty is not transferable and is limited to the original purchaser. If the product is found to be defective then, as your sole remedy and as the manufacturer's only obligation, SecurityMan will repair or replace the product. This warranty shall not apply to products that have been subjected to abuse, misuse, abnormal electrical or environmental conditions, normal wear and tear or any condition other than what can be considered normal use.

Limitation of Liability

The liability of SecurityMan arising from this warranty and sale shall be limited to a refund of the purchase price. In no event shall SecurityMan be liable for costs of procurement of substitute products or services, or for any lost profits, or for any consequential, incidental, direct or indirect damages, however caused and on any theory of liability, arising from this warranty and sale. These limitations shall apply notwithstanding any failure of essential purpose of any limited remedy.

SecurityMan®

distributed by SolidSignal.com

Copyright 2011 by SecurityMan v10.1

For Customer Service: 877-312-4547