

ST-IP-BTVF-2

HD IR Waterproof Fixed Lens
1080P (2MP) Network Camera

Quick Start Guide Version 1.0



Introduction

Thank you for purchasing our Network camera. This **Quick Start Guide** is designed as a tool to help you get started as quickly as possible. Detailed operation instructions are included on the enclosed CD. Please keep this guide for future reference. Please check the contents of the camera box to ensure that all items are present as listed in the "included items" list below. Contact SecurityTronix immediately if anything is missing or if there is damage to the camera

Important Safeguards and Warnings

1. Electrical safety

All installation and operation of this camera should conform to your local and national electrical safety codes. The power shall conform to the requirements in the SELV (Safety Extra Low Voltage) and the limited power source is rated 12V DC or 24V AC in the IEC60950-1. (Refer to the general introduction). Please Note: Do not connect two power supply sources to the device at the same time; it may result in damage to the device. SecurityTronix assumes no liability or responsibility for improper handling or installation, or unauthorized modification or attempted repair, which could result in fire, electrical shock or physical harm to persons involved.

2. Physical considerations

Keep the camera free of any harsh physical impact, before, during and after installation. Do not allow water to penetrate the case during installation and ensure that all weatherproof seals are properly in place to keep water out during normal operation.

environment free of strong, local electromagnetic radiation, explosive substances or flammable materials. Ensure that the camera is not mounted in a position which would become susceptible to direct beams of laser light, such as retail scanners. Lightning surge suppressors are highly recommended to further help protect the camera from high voltage discharges.

Important Safeguards and Warnings

3. Installation

Do not apply power to the camera until installation has been completed and all wires have been run and are protected from physical damage. Ensure there is a means to quickly disengage power from the camera in the event of a short circuit.

4. Qualified Operators

All examination, installation and operation of the camera should be performed by persons qualified for such work. SecurityTronix is not liable for any damage to persons or property caused by improper installation, unauthorized modifications or attempted repairs to the camera.

5. Environment

This series of network camera is designed to be installed in an environment free of strong, local electromagnsusceptible to direct beams of laser light, such as retail scanners. Lightning surge suppressors are highly recommended to further help protect the camera from high voltage discharges.

6. Maintenance

Use only a soft, lint-free cloth and mild detergent to clean the exterior of the camera. Dome cameras have a plastic-based optical dome; special care should be taken to use only cleansers which will not scratch or cloud the plastic.

7. Accessories

Be sure to use only accessories made for or approved for this model of camera. If you have any questions, contact SecurityTronix at (610) 429-1821, press 3, then 2.

Package Contents:

- 1 Network Camera
- 1 Quick Start Guide
- 1 Installation Hardware
- 1 Software CD

1 Mechanical Description

1.1 Cable

Please refer to the following diagrams for cable identification of the camera

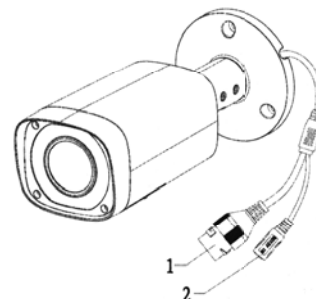


Figure 1-1

#	Port	Function	Type	Note
1	LAN	Network Port	Ethernet Port	Connect to standard ethernet cable. NOTE: Some devices do not support PoE.
2	DC 12V	Power input	5.5mm barrel	Minimum current required is 1A (1,000mA). Connector is center-positive.

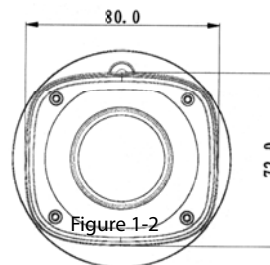


Figure 1-2

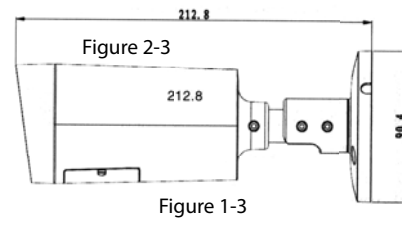


Figure 1-3

2 Device Installation

Step 1.

Adhere the mounting template to the surface on which the camera will be installed.

Step 2.

Drill 3 holes in the wall or ceiling, using the template as a guide.

Step 3.

Remove the template and Insert the 3 included plastic anchors into the 3 holes.

Step 4.

Use the 3 included screws to mount the camera into the anchors.

Step 5. Connect the cables to the camera.

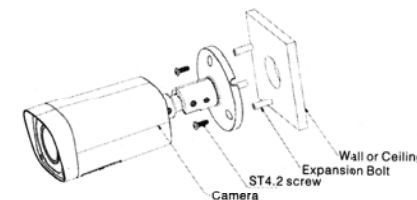


Figure 2-1

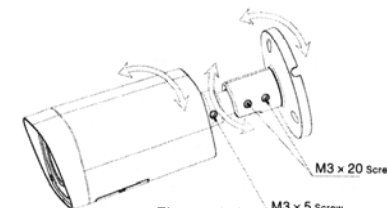


Figure 2-2

Step 6. Using the included hex wrenches, loosen the 3 hex screws shown in figure 2-2, so the camera can be adjusted on all 3 axes. Aim the camera and retighten all of the hex adjustment screws.

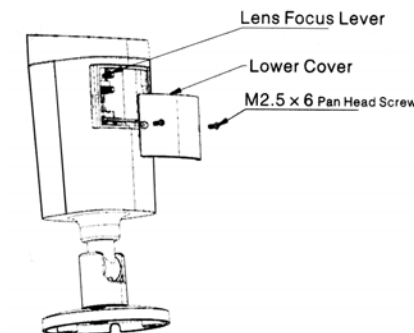
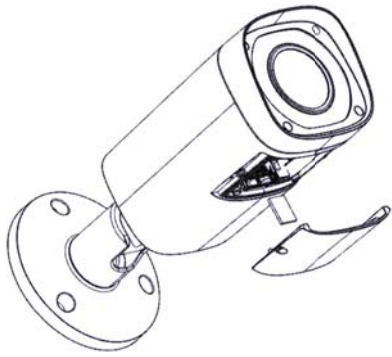


Figure 2-3

Step 7. Unscrew the 2 philips-head screws which hold the bottom cover plate in place and remove the plate

Step 8. Adjust the zoom and focus levers inside the camera to obtain the desired view.

Step 9. Replace the cover plate, making sure that the rubber gasket is properly in place to seal out moisture.



3 Quick Configuration Tool

3.1 Overview

The Quick Configuration Tool can discover the cameras on the network, display the IP addresses and allow the user to modify the addresses.

3.2 Operation

Double-click the "configtools.exe" icon and the interface shown below will be displayed.

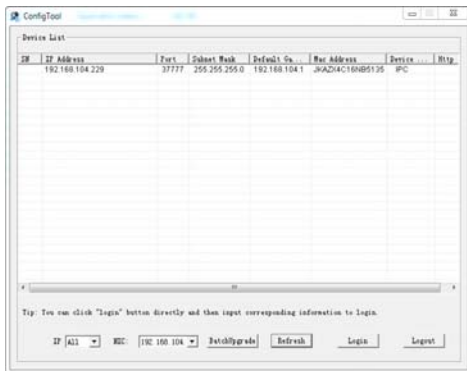


Figure 3-1 Search Interface

Select an IP address, right-click the mouse and a pop-up menu will be displayed as shown below. Click "OPEN DEVICE WEB" to log in to the camera using a web browser.

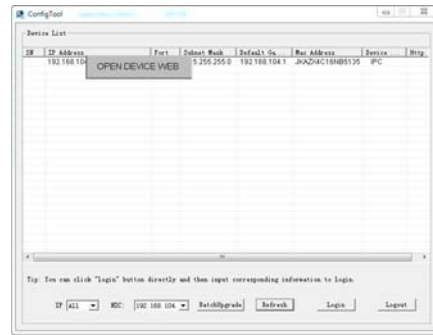


Figure 3-2 Search Interface 2

The camera can be readdressed without logging in via a web browser. From the Configuration tool's main interface (see figure 3-2), click on the camera to re-address and then click the "Login" button. The Login screen will appear, as shown below in figure 3-3.

Verify that the information correct for the camera and click "Login".



Figure 3-3 Login Prompt

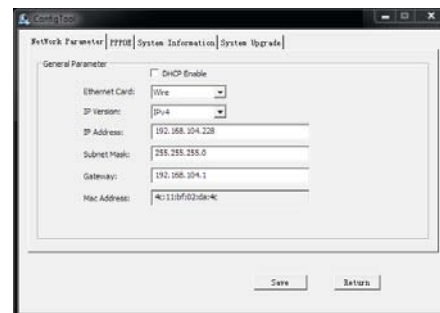


Figure 3-4 Quick Configuration

For detailed instruction of the Quick Configuration Tool, please refer to the manual for it on the included resource CD

4 Web Operation

This IP camera supports web access and management via a PC.

The web interface includes several modules; monitor channel preview, System configuration, Alarm, etc.

4.1 Network Connection

Follow the steps below for network connection.

* Ensure the camera is powered, physically connected to the network and is assigned an IP address within the range of the LAN's subnet.

4.2 Login and Main Interface

Open Microsoft Internet explorer and input the camera's IP address in the browser's address bar.



Figure 4-1

The login interface is shown below in figure 4-2. Enter the user name and login password. The factory default user is "admin" and the password is also "admin". For security, please change the password after logging in.

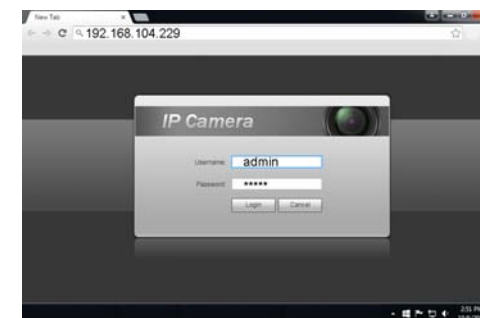


Figure 4-2

After successfully logging in, you will be prompted to install the web plug-in for viewing the camera. Please refer to the Web Operation Manual included in the resource CD for detailed operation instructions.



Figure 4-3

APPENDIX - Toxic or Hazardous Materials or Elements

Component Name	Toxic or Hazardous Materials or Elements					
	Pb	Hg	Cd	Cr VI	PBB	PBDE
Circuit Board Component	<input type="radio"/>	<input type="radio"/>	<input type="radio"/>	<input type="radio"/>	<input type="radio"/>	<input type="radio"/>
Device Construction Material	<input type="radio"/>	<input type="radio"/>	<input type="radio"/>	<input type="radio"/>	<input type="radio"/>	<input type="radio"/>
Wire and Cable	<input type="radio"/>	<input type="radio"/>	<input type="radio"/>	<input type="radio"/>	<input type="radio"/>	<input type="radio"/>
Packing Components	<input type="radio"/>	<input type="radio"/>	<input type="radio"/>	<input type="radio"/>	<input type="radio"/>	<input type="radio"/>
Accessories	<input type="radio"/>	<input type="radio"/>	<input type="radio"/>	<input type="radio"/>	<input type="radio"/>	<input type="radio"/>

This Quick Start Guide is designed as a tool to provide the essential info information needed to quickly get this IP camera online as easily as possible.

Full documentation for the camera, Quick Configuration Tool, and web operation of the camera can be found on the included CD.

For award-winning technical assistance, please call SecurityTronix at: (910) 429-1821 visit us at: securitytronix.com or email us at: support@securitytronix.com