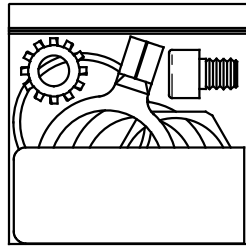
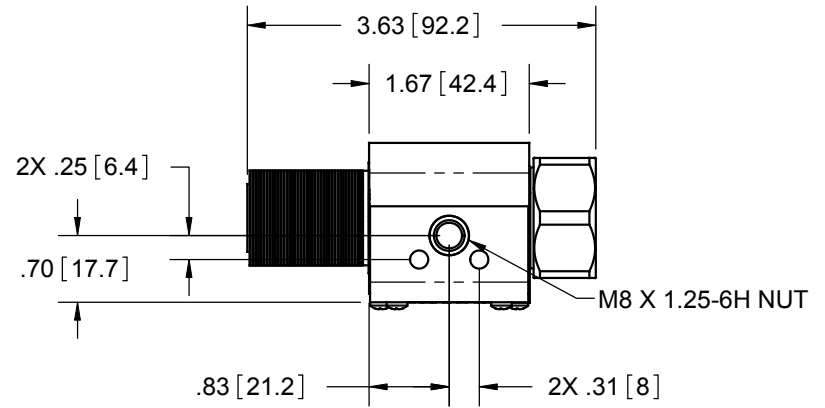


REVISIONS				
REV.	DESCRIPTION	ECN	DATE	APPROVED
A	PRODUCTION RELEASE	DD70224	4/20/11	CAP



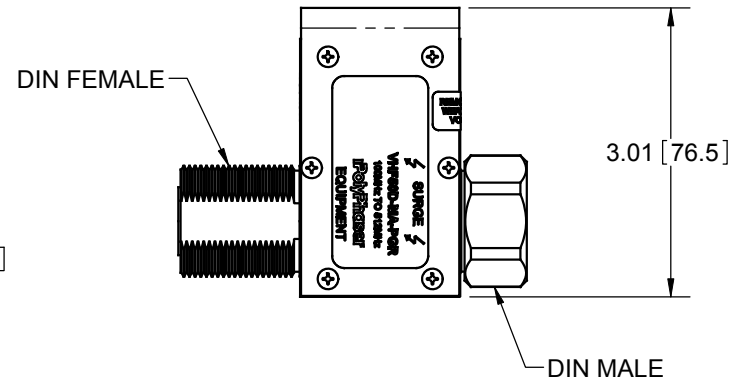
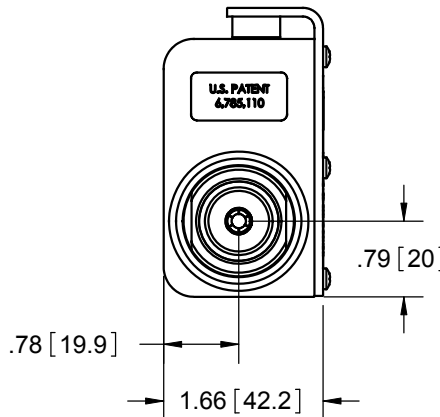
HARDWARE KIT

1	RING TERM 6AWG DIN 1.5" ID
1	WASHER 5/16 EXT 18-8 SS
1	SCREW CAP M8 X 1.25 X 10MM
1	O-RING 027 SILICONE
1	NUT M29 x 1.5 SST DIN
1	WASHER 1.15ID FLAT SST TYPE 304
QTY	HARDWARE KIT DESCRIPTION



MAXIMUM CHARACTERISTICS

APPLICATION:
 WEATHERIZED, FLANGE OR BULKHEAD MOUNT
 RoHS COMPLIANT
 FREQUENCY RANGE:
 100MHz TO 512MHz
 VSWR:
 ≤1.1:1 OVER FREQUENCY RANGE
 INSERTION LOSS:
 ≤0.1dB OVER FREQUENCY RANGE
 RF POWER:
 750W RMS AVERAGE
 MAX. SURGE:
 20kA IEC 61000-4-5 8/20μs WAVEFORM
 THROUGHPUT ENERGY:
 ≤500nJ FOR 3kA, 8/20μs WAVEFORM
 PIM SPEC:
 <-155dBc (-112dBm); 2 X 20 W INPUT
 RELATIVE HUMIDITY:
 TO 95%
 ENVIRONMENTAL:
 MEETS IEC 60529 IPC67
 MEETS BELLCORE #TA-NWT-000487
 PROCEDURE 4.11, WIND DRIVEN (120MPH)
 RAIN INTRUSION TEST.
 TEMPERATURE:
 -50°C TO +85°C STORAGE/OPERATING



CUSTOMER APPROVAL: _____ DATE: _____

ALL DIMENSIONS SHOWN ARE FOR REFERENCE ONLY.

<small>UNLESS OTHERWISE SPECIFIED LEADING DIMENSIONS ARE INCHES DIMENSIONS IN [] ARE MILLIMETERS</small> TOLERANCES: FRACTIONS=± 1/32 .XX=± .01 ANGLES=± 1° .XXX=± .005 NOTICE: THE INFORMATION AND DESIGN IN THIS DOCUMENT IS THE PROPERTY OF POLYPHASER CORPORATION. ALL RIGHTS RESERVED.	DRAWN	HMB	DATE	3/17/11		SHEET	1	OF	1			
	ENG APPD	CAP	DATE	4/18/11		SCALE	1:2					
	PRODUCT MGR	SD	DATE	4/18/11		TITLE 100-512MHz COMB 750W FEM DIN MALE DIN PRESSFIT <small>CUSTOMER SPECIFICATION</small>						
	MARKETING APPD	LJ	DATE	4/15/11								
PROJECT NO.		DD70224			SIZE	A	CAGE	61114	PART NUMBER	VHF50D-MA-PGR	REV	A
DOCUMENT NAME		VHF50D-MA-PGR-C										

THESE COMMODITIES, TECHNOLOGY OR SOFTWARE WERE EXPORTED FROM THE UNITED STATES IN ACCORDANCE WITH THE EXPORT ADMINISTRATION REGULATIONS. DIVERSION CONTRARY TO U.S. LAW PROHIBITED.