

APG-BNFNF-350

Arrestor Plus® Gas Tube Surge Arrestor (350 V), 45–2170 MHz, with interface types N Female Bulkhead and N Female



Product Classification

Product Type Surge arrester

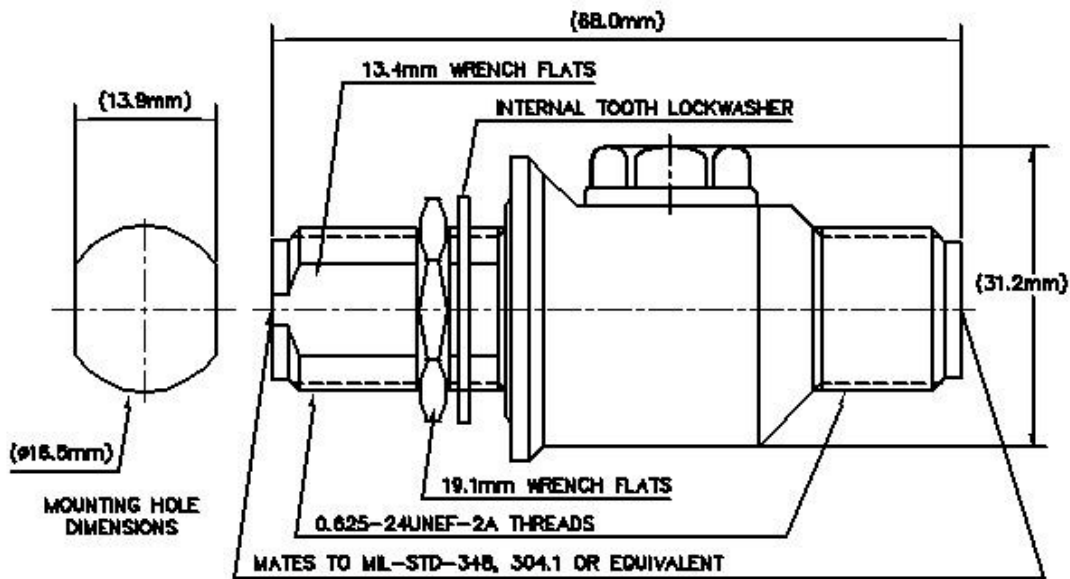
General Specifications

Interface N Female Bulkhead
Interface 2 N Female
Device Type dc Pass
Ordering Note CommScope® standard product in Asia Pacific
Body Style Bulkhead

Electrical Specifications

Operating Frequency Band 1000 – 2000 MHz | 2000 – 2170 MHz | 45 – 1000 MHz
Average Power 400 W
Connector Impedance 50 ohm
Gas Tube Voltage 350 V
Lightning Surge Current 20 kA
Lightning Surge Current Waveform 8/20 waveform
Insertion Loss, typical 0.10 dB

Outline Drawing



Mechanical Specifications

Attachment Durability	25 cycles
Inner Contact Plating	Gold
Interface Durability	500 cycles
Interface Durability Method	IEC 61169-16:9.5
Outer Contact Plating	Silver
Pressurizable	No

Dimensions

Height	30.99 mm 1.22 in
Length	68.07 mm 2.68 in
Weight	0.14 kg 0.31 lb
Width	30.99 mm 1.22 in

Environmental Specifications

Corrosion Test Method	MIL-STD-202, Method 101, Test Condition B
Immersion Depth	1 m
Immersion Test Mating	Mated

APG-BNFNF-350

Immersion Test Method	IEC 60529:2001, IP68
Mechanical Shock Test Method	MIL-STD-202F, Method 213B, Test Condition C
Moisture Resistance Test Method	MIL-STD-202, Method 106
Operating Temperature	-40 °C to +100 °C (-40 °F to +212 °F)
Storage Temperature	-40 °C to +100 °C (-40 °F to +212 °F)
Thermal Shock Test Method	MIL-STD-202, Method 107, Test Condition A-1, Low Temperature -55 °C
Vibration Test Method	GR 2846-CORE
Water Jetting Test Mating	Mated
Water Jetting Test Method	IEC 60529:2001, IP66

Standard Conditions

Attenuation, Ambient Temperature	20 °C 68 °F
Average Power, Ambient Temperature	40 °C 104 °F

Return Loss/VSWR

Frequency Band	VSWR	Return Loss (dB)
45–1000 MHz	1.11	26.00
1000–2000 MHz	1.17	22.00
2000–2170 MHz	1.33	17.00

Regulatory Compliance/Certifications

Agency	Classification
ISO 9001:2015	Designed, manufactured and/or distributed under this quality management system



* Footnotes

Immersion Depth	Immersion at specified depth for 24 hours
Insertion Loss, typical	0.05v/freq (GHz) (not applicable for elliptical waveguide)