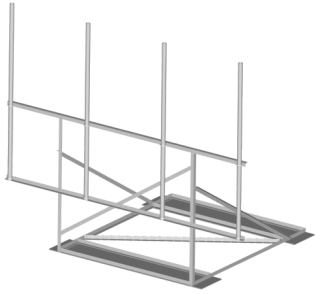


RF-N7-B



Non-Penetrating Roof Frame, 7 ft face, pipe not included

Product Classification

Product Type Non-penetrating roof frame

Dimensions

Face Width 2.1 m | 7.0 ft
Height 1905.0 mm | 75.0 in
Length 2540.0 mm | 100.0 in
Pipe Outer Diameter 60.3 mm | 2 3/8 in
Width 2133.6 mm | 84.0 in
Weight 154.8 kg | 341.3 lb

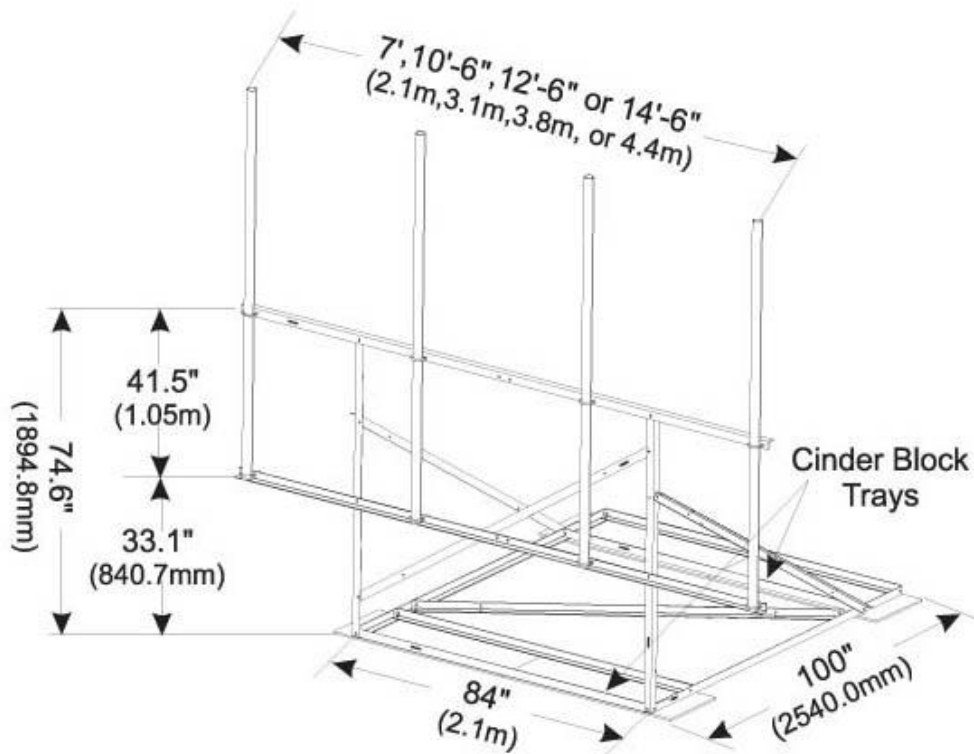
Environmental Specifications

Wind Rating 85 mph (BWS) at 100 ft AGL using Exposure C per UBC
Wind Rating Test Method TIA/EIA-222

General Specifications

Mounting Non-penetrating
Pipe, quantity 0
Includes Rubber mats, with or without pipe mounts
Material Type Hot dip galvanized steel
Note Four 120 in x 8 in panel antennas per sector
Package Quantity 1

Outline Drawing



Regulatory Compliance/Certifications

Agency

ISO 9001:2015

Classification

Designed, manufactured and/or distributed under this quality management system



* Footnotes

Wind Rating

BWS—Base Wind Speed; FBC—Florida Building Code