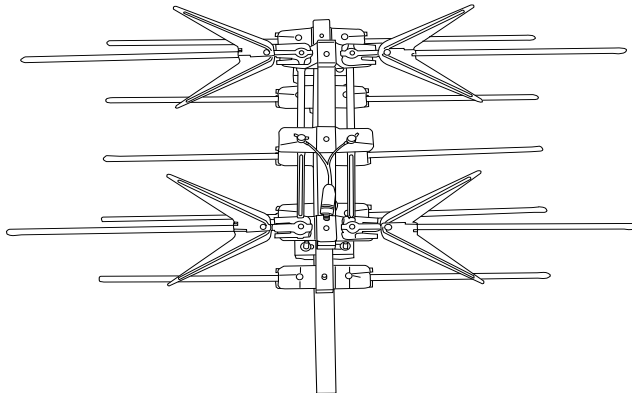




# HIGH DEFINITION VHF/UHF ANTENNA

engineering specifications

Model HD-1080



**Output Impedance:** 75 ohm  
**Recommended Preamp:** AP Series  
**Active Elements** 4  
**UHF Elements** 2  
**VHF Elements** 2  
**Boom Length** 18.25"  
**Turning Radius** 18"  
**Maximum Width** 34.5"  
**Vertical Height** 18.25"  
**Element Diameter** 3/8"

**Shpg. Weight** 4.4 lbs.  
**Carton Dimensions** 42.75"x6.50"x6.50"

Made in U.S.A.



"UPS in shield design is a registered trademark of United Parcel Service of America, Inc. used by permission."

## POLAR PATTERNS

CHANNEL FREQUENCY	Ch 7 175 MHz	Ch 9 187 MHz	Ch 11 199 MHz	Ch 13 211 MHz	Ch 14 471 MHz
Antenna Gain Pattern					
HPBW (deg)	0	0	0	0	79
F/B Ratio (dB)	0.0	0.0	0.0	0.0	4.5
*Gain dBi	-4.7	-4.5	-4.0	-4.6	+3.2

CHANNEL FREQUENCY	Ch 22 519 MHz	Ch 30 567 MHz	Ch 38 615 MHz	Ch 46 663 MHz	Ch 51 692 MHz
Antenna Gain Pattern					
HPBW (deg)	72	55	56	60	70
F/B Ratio (dB)	8.0	9.0	10.0	8.4	6.8
*Gain dBi	+3.7	+6.4	+11.8	+8.1	+5.6

Data on this sheet are from tests performed on outdoor range following IEEE Standard 149-1979

\* For dB dipole gain figures, add -2.2dB to the dBi, gain figures.